



# EMI Filter

Filter Type	Rated Voltage	Rated current	Stage	Picture Show	Application
<b>PCB EMI Filter</b>					
PE1000	120/250VAC	1-6A	1		For PCB (Printed Circuit Board); Switch mode power supplies; Small to medium-sized machines; Household equipment
PE1001	120/250VAC	1-6A	1		
PE1002	120/250VAC	1-6A	1		
<b>Single Phase EMI Filter</b>					
PE2000	120/250VAC	1-10A	1		Electrical and electronic equipment. Office automation equipment. Consumer goods. Datacom equipment. Household equipment. Medical equipment
PE2001	120/250VAC	1-10A	1		
PE2002	120/250VAC	1-10A	1		
PE2010	120/250VAC	1-10A	1		
PE2100	120/250VAC	6-100A	1		
PE2101	120/250VAC	6-100A	1		For Office automation equipment; printer , monitors , copy machine For Household equipment ; coffee machine , cooking machine For Medical machine beauty machine ; physiotherapy
PE2102	120/250VAC	6-100A	1		
PE2200	120/250VAC	1-35A	2		
PE2210	120/250VAC	1-35A	2		For Datacom equipment network technology, servers For Drive single phase motor drive , LED drive
PE2300	120/250VAC	6-25A	2		For Single Phase Inverter ; Converter ; UPS ; Automation.
PE2600	120/250VAC	1-20A	1		Coffee Machines;Air Conditioners;Vending Machines;Other White Goods





# EMI Filter

Three Phase EMI Filter					
PE3000	250/440VAC	6-10A	1		Inverters and converters; General purpose three phase filtering; Three-phase motor drives; UPS and SMPS; Industrial automation equipment
PE3100	250/440VAC	6-200A	1		
PE3120	275/480 VAC	7-42A	1		motor drives; PDS; Elevators; CNC machines and cranes; HVAC
PE3800	250/440VAC	1-250A	2		equipment, power supply, UPS and further three-phase applications.
PE3300	250/440/480 VAC	5-1200A	3		High Interference Industrial Environment; PDS; Inverters and converters; Process automation equipment; HVAC
PE3400	250/440VAC	5-1200A	2		equipment, elevators, power supplies, UPS and further three-phase applications
Three Phase +Neutral Line EMI Filter					
PE4000	250/440VAC	6-10A	1		General purpose four-wire filtering; UPS; High power office equipment; Installations comprising ; automation equipment; Mainframe
PE4100	250/440VAC	6-600A	1/2		computer systems and further three-phase + neutral electricity supply

# EMI Filter

AC/DC Feedthrough Filter					
PE7000	120/252VAC	1-250A	1		AC Power line filter for 250VAC power lines;DC Power line filter for 48VDC battery power; Increasing system and information security;Power supplies;Switching and cellular equipment;Computer servers;UPS power supplies; Medical equipment;Shielded rooms
PE7100	120/253VAC	1-250A	1		
IEC Inlet Filter					
PE8000	120/250 VAC	1-10A	1		Single-phase power supplies, switch-mode power supplies. Small to medium-sized machines and household equipment. Portable electrical and electronic equipment. Test and measurement equipment. Medical equipment.
PE8000S	120/250 VAC	1-10A	1		
PE8000S1	120/250 VAC	1-10A	1		
Power Entry Module Filter					
PE8100	120/250 VAC	1-10A	1		Small to medium-sized machines and household equipment;switch-mode power supplies;Test and measurement equipment;Medical equipment
PE8200	120/250 VAC	1-10A	1		
PE8300	120/250 VAC	1-10A	1		Single-phase power supplies; switch-mode power supplies; Test and measurement equipment; Portable electrical and electronic equipment;Consumer goods;EDP and office equipment;Medical equipment
PE8400	120/250 VAC	1-10A	1		

# EMI Filter

PE8600	120/250 VAC	1-10A	1		Small to medium-sized machines and household equipment switch-mode power supplies Test and measurement equipment
<b>Shielding Room Filter</b>					
Power Filter	250/440VAC	/	/		Two Line /Three Line/ Four Lines
Signal Filter	250/440VAC	/	/		Customized
<b>Military EMI Filter</b>					
PE6000	250/440VAC	/	/		Military equipment

SHAANXI SHINHOM ENTERPRISE CO., LTD

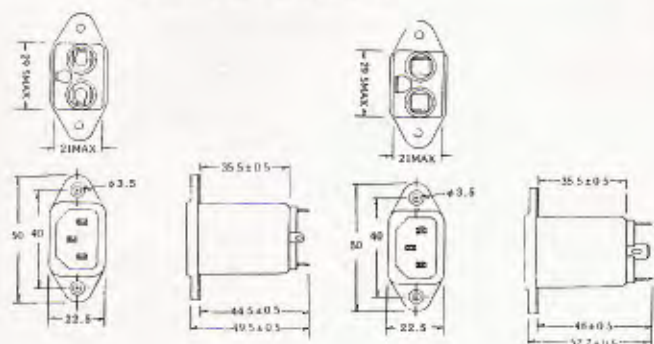


EMI FILTER





DIMENSION(mm)

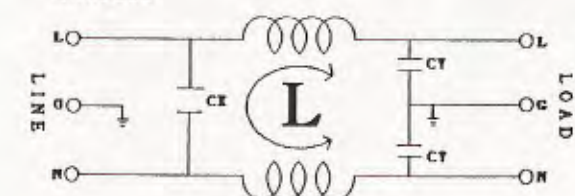


RT TYPE

T TYPE

ITEM	MODEL
RATED VOLTAGE	250V AC
RATED CURRENT	1A.3A.6A.10A
LEAK CURRENT	0.8mA MAX 250V,60HZ
LINE TO LINE	1400V DC
LINE TO GROUND	2200V DC
INSULATION RESISTANCE	100MΩMIN 250VDC
DIRECT CURRENT RESISTANCE	0.5ΩMAX
OPERATING TEMPERATURE	-25°C~+85°C

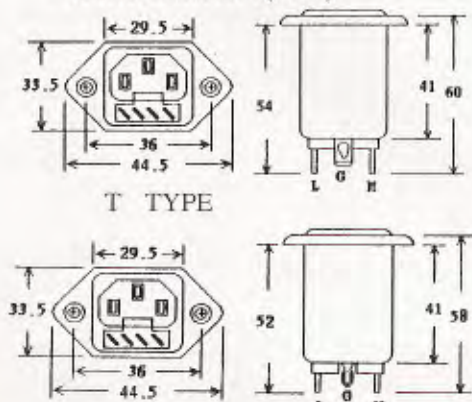
CIRCUIT



CX:0.1uF	CY:2x3300pF	L: 1A	2×3.7mH
		3A	2×1.8mH
		6A	2×0.7mH
		10A	2×0.3mH



DIMENSION(mm)

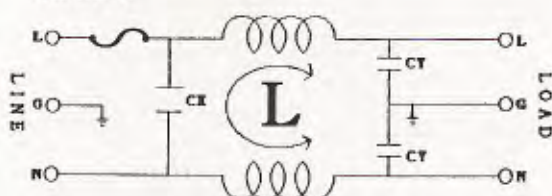


T TYPE

RT TYPE

ITEM	MODEL
RATED VOLTAGE	250V AC
RATED CURRENT	1A.3A.6A.10A
LEAK CURRENT	0.8mA MAX 250V,60HZ
LINE TO LINE	1400V DC
LINE TO GROUND	2200V DC
INSULATION RESISTANCE	100MΩMIN 250VDC
DIRECT CURRENT RESISTANCE	0.5ΩMAX
OPERATING TEMPERATURE	-25°C~+85°C

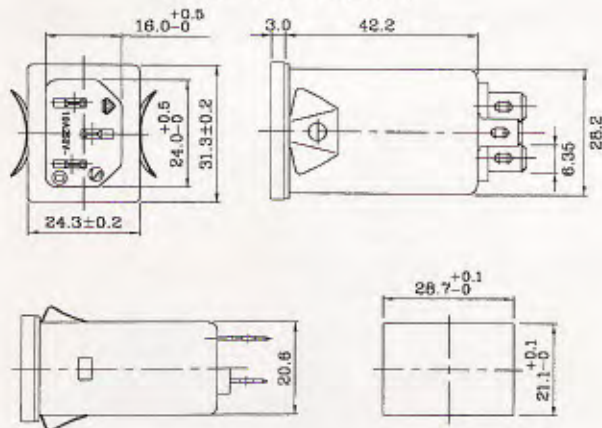
CIRCUIT



CX:0.1uF	CY:2x3300pF	L: 1A	2×3.7mH
		3A	2×1.8mH
		6A	2×0.7mH
		10A	2×0.3mH

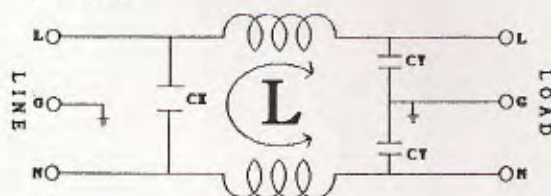


DIMENSION(mm)



ITEM	MODEL	
RATED VOLTAGE		250V AC
RATED CURRENT		1A.3A.6A.10A
LEAK CURRENT		0.8mA MAX 250V,60HZ
LINE TO LINE		1400V DC
LINE TO GROUND		2200V DC
INSULATION RESISTANCE		100MΩMIN 250VDC
DIRECT CURRENT RESISTANCE		0.5ΩMAX
OPERATING TEMPERATURE		-25℃~+85℃

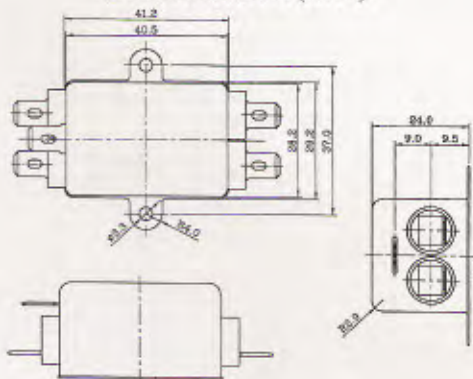
CIRCUIT



	1A	2×3.7mH
	3A	2×1.8mH
	6A	2×0.7mH
	10A	2×0.3mH
CX:0.1uF	CY:2x3300pF	

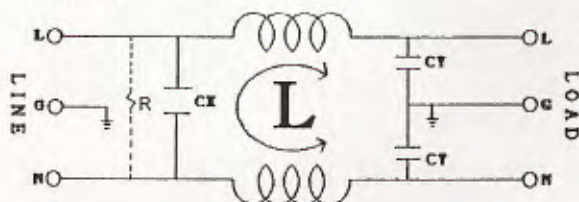


DIMENSION(mm)



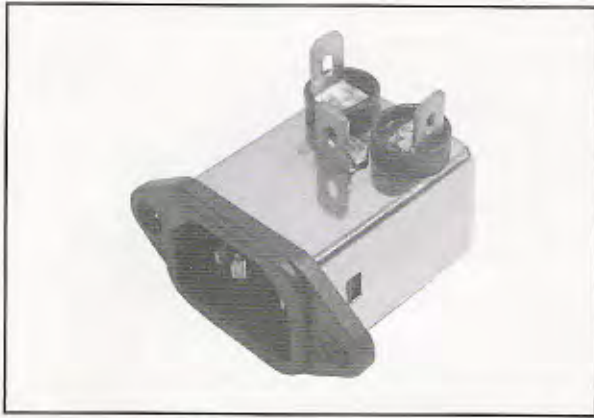
ITEM	MODEL	
RATED VOLTAGE		250V AC
RATED CURRENT		1A.3A.6A.10A
LEAK CURRENT		0.8mA MAX 250V,60HZ
LINE TO LINE		1400V DC
LINE TO GROUND		2200V DC
INSULATION RESISTANCE		100MΩMIN 250VDC
DIRECT CURRENT RESISTANCE		0.5ΩMAX
OPERATING TEMPERATURE		-25℃~+85℃

CIRCUIT

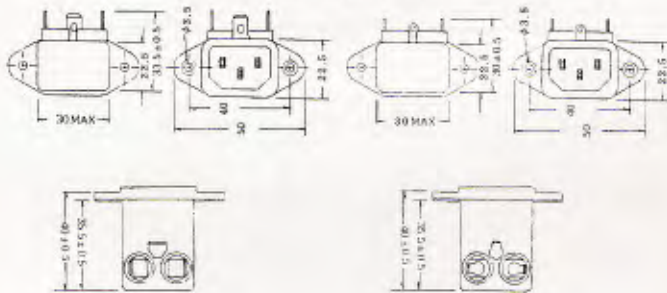


	1A	2×5mH
	3A	2×2.5mH
	6A	2×1mH
	10A	2×0.4mH
CX:0.1uF	CY:2x3300pF	





DIMENSION(mm)

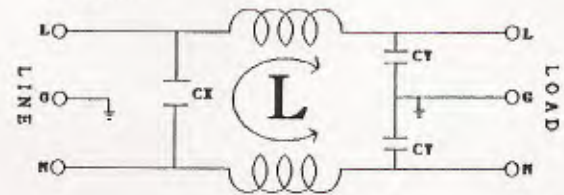


T TYPE

RT TYPE

ITEM	MODEL	DL1A-	A-
RATED VOLTAGE		250V AC	
RATED CURRENT		1A,3A,6A,10A	
LEAK CURRENT		0.8mA MAX 250V,60HZ	
LINE TO LINE		1400V DC	
LINE TO GROUND		2200V DC	
INSULATION RESISTANCE		100MΩ MIN 250VDC	
DIRECT CURRENT RESISTANCE		0.5Ω MAX	
OPERATING TEMPERATURE		-25℃~+85℃	

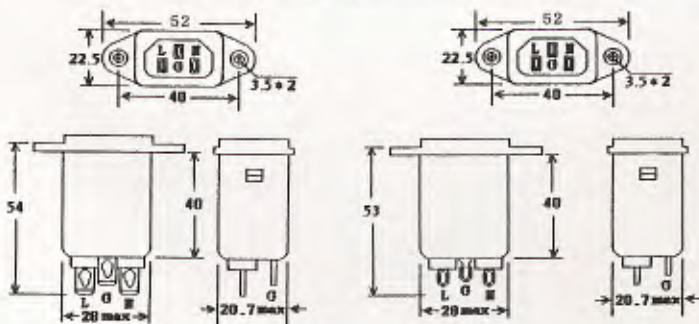
CIRCUIT



	1A	2×3.7mH
	3A	2×1.8mH
	6A	2×0.7mH
	10A	2×0.3mH
CX:0.1uF	CY:2x3300pF	L:



DIMENSION(mm)

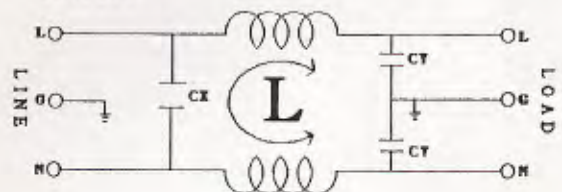


T TYPE

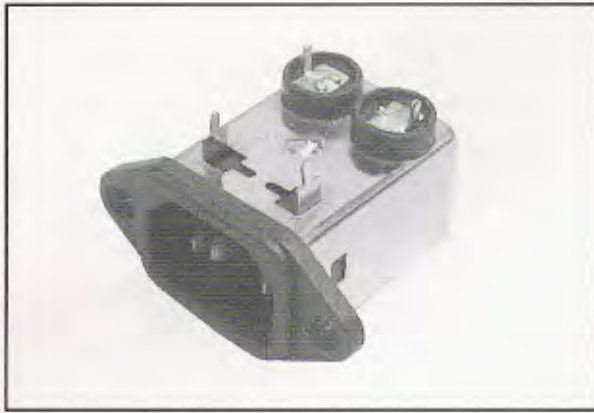
RT TYPE

ITEM	MODEL	DL1D-	A-
RATED VOLTAGE		250V AC	
RATED CURRENT		1A,3A,6A,10A	
LEAK CURRENT		0.8mA MAX 250V,60HZ	
LINE TO LINE		1400V DC	
LINE TO GROUND		2200V DC	
INSULATION RESISTANCE		100MΩ MIN 250VDC	
DIRECT CURRENT RESISTANCE		0.5Ω MAX	
OPERATING TEMPERATURE		-25℃~+85℃	

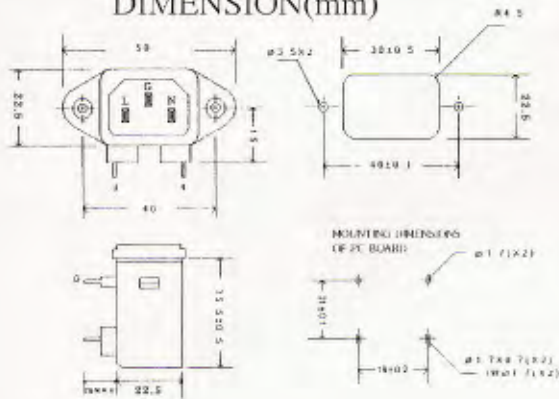
CIRCUIT



	1A	2×3.7mH
	3A	2×1.8mH
	6A	2×0.7mH
	10A	2×0.3mH
CX:0.1uF	CY:2x3300pF	L:

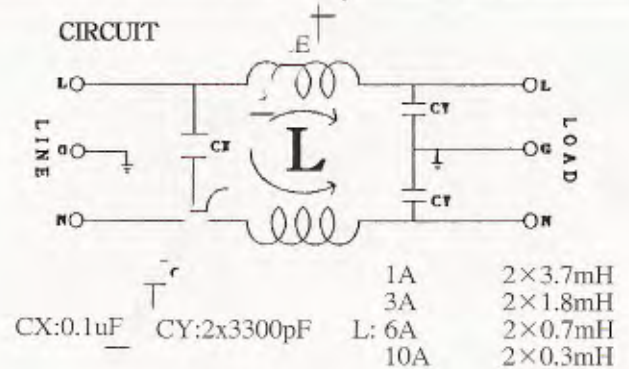


DIMENSION(mm)

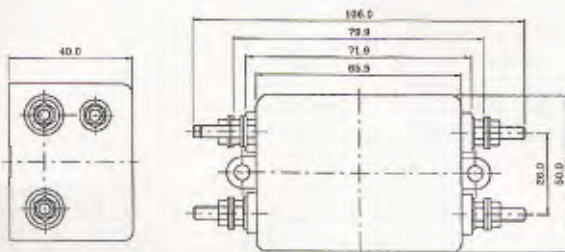


ITEM	MODEL	DL1P-	A-
RATED VOLTAGE		250V AC	—
RATED CURRENT		1A,3A,6A	JA
LEAK CURRENT		0.8mA MAX 250V,60HZ	
LINE TO LINE		1400V DC	
LINE TO GROUND		2200V DC	
INSULATION RESISTANCE		100MΩ MIN 250VDC	
DIRECT CURRENT RESISTANCE		0.5Ω MAX	
OPERATING TEMPERATURE		-25°C ~ +85°C	

CIRCUIT

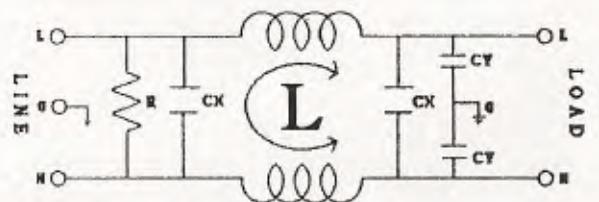


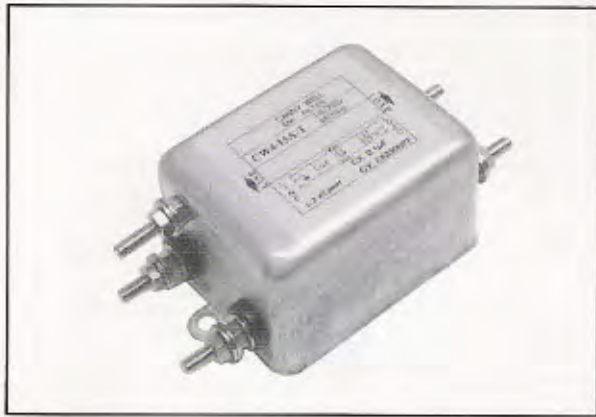
DIMENSION(mm)



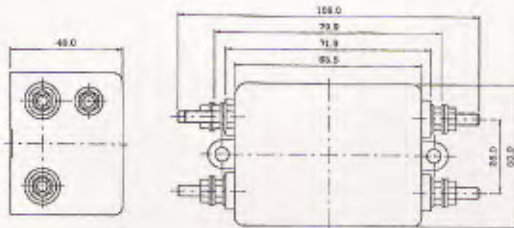
ITEM	MODEL	DL2-	A-
RATED VOLTAGE		250V AC	
RATED CURRENT		6A,10A,15A,20A,30A	
LEAK CURRENT		0.8mA MAX 250V,60HZ	
LINE TO LINE		1400V DC	
LINE TO GROUND		2200V DC	
INSULATION RESISTANCE		100MΩ MIN 250VDC	
DIRECT CURRENT RESISTANCE		0.5Ω MAX	
OPERATING TEMPERATURE		-25°C ~ +85°C	

CIRCUIT



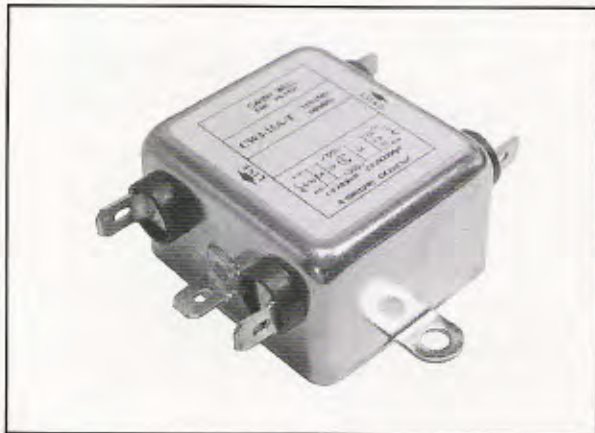
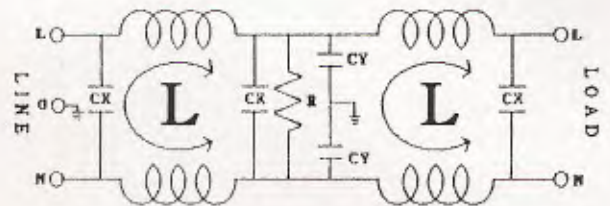


DIMENSION(mm)

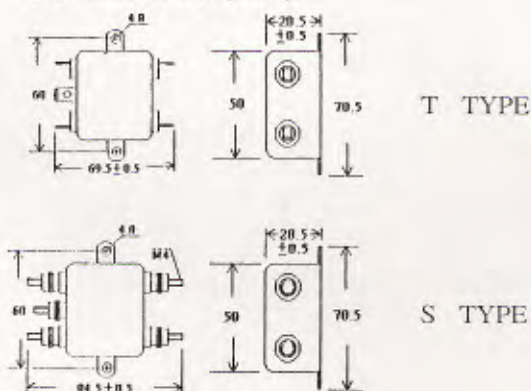


ITEM	MODEL	DL2L2- A-
RATED VOLTAGE		250V AC
RATED CURRENT		1A,3A,6A,10A,15A,20A
LEAK CURRENT		0.8mA MAX 250V,60HZ
LINE TO LINE		1400V DC
LINE TO GROUND		2200V DC
INSULATION RESISTANCE		100MΩ MIN 250VDC
DIRECT CURRENT RESISTANCE		0.7Ω MAX
OPERATING TEMPERATURE		-25℃~+85℃

CIRCUIT

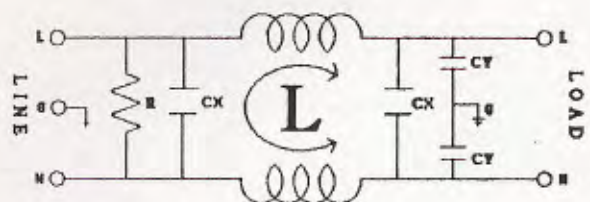


DIMENSION(mm)



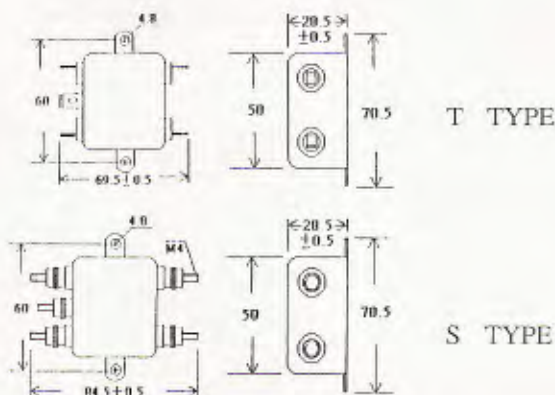
ITEM	MODEL	DL3- A-
RATED VOLTAGE		250V AC
RATED CURRENT		1A,3A,5A,10A,20A
LEAK CURRENT		0.8mA MAX 250V,60HZ
LINE TO LINE		1400V DC
LINE TO GROUND		2200V DC
INSULATION RESISTANCE		100MΩ MIN 250VDC
DIRECT CURRENT RESISTANCE		0.5Ω MAX
OPERATING TEMPERATURE		-25℃~+85℃

CIRCUIT



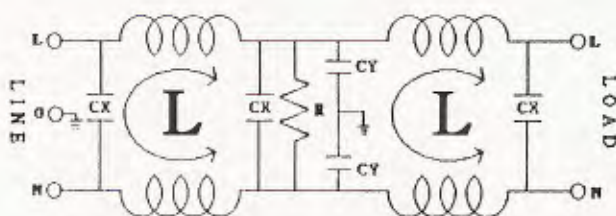


DIMENSION(mm)

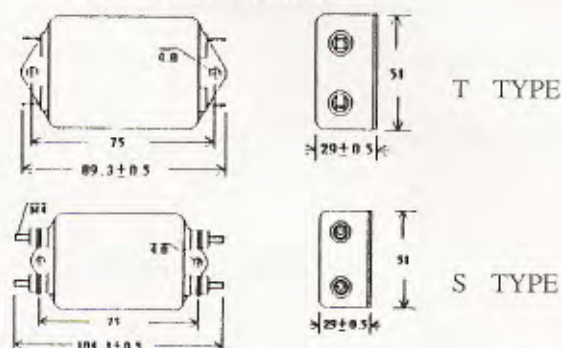


ITEM	MODEL	DL3L2-	A-
RATED VOLTAGE		250V AC	
RATED CURRENT		1A,3A,6A,10A,15A,20A	
LEAK CURRENT		0.8mA MAX 250V,60HZ	
LINE TO LINE		1400V DC	
LINE TO GROUND		2200V DC	
INSULATION RESISTANCE		100MΩ MIN 250VDC	
DIRECT CURRENT RESISTANCE		0.7Ω MAX	
OPERATING TEMPERATURE		-25°C~+85°C	

CIRCUIT

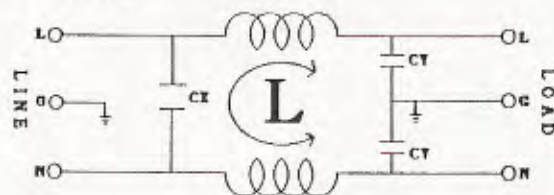


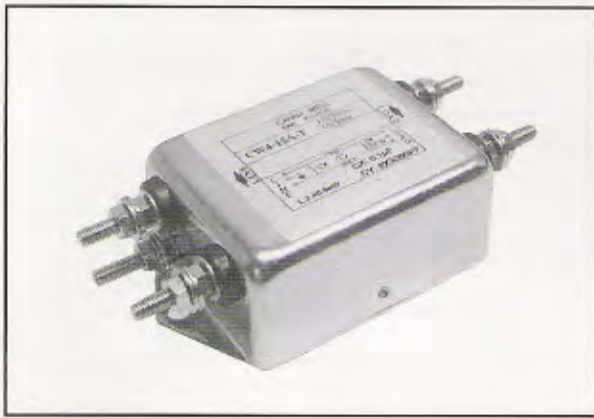
DIMENSION(mm)



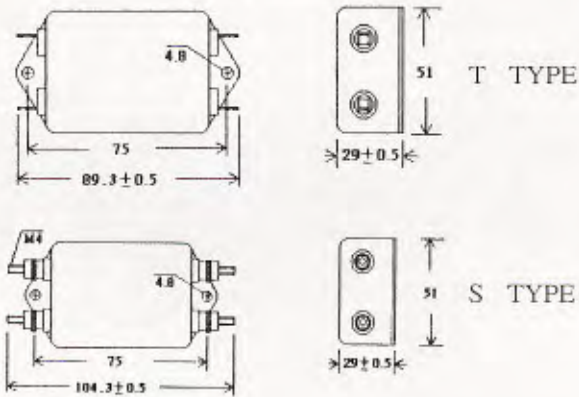
ITEM	MODEL	DL4-	A-
RATED VOLTAGE		250V AC	
RATED CURRENT		6A,10A,15A,20A	
LEAK CURRENT		0.8mA MAX 250V,60HZ	
LINE TO LINE		1400V DC	
LINE TO GROUND		2200V DC	
INSULATION RESISTANCE		100MΩ MIN 250VDC	
DIRECT CURRENT RESISTANCE		0.5Ω MAX	
OPERATING TEMPERATURE		-25°C~+85°C	

CIRCUIT



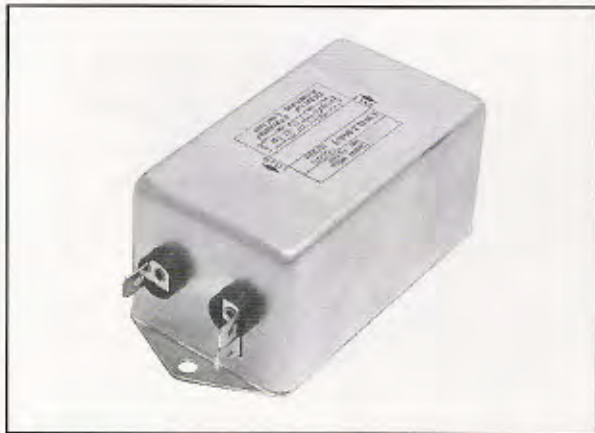
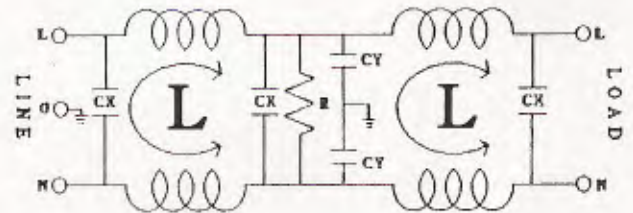


DIMENSION(mm)

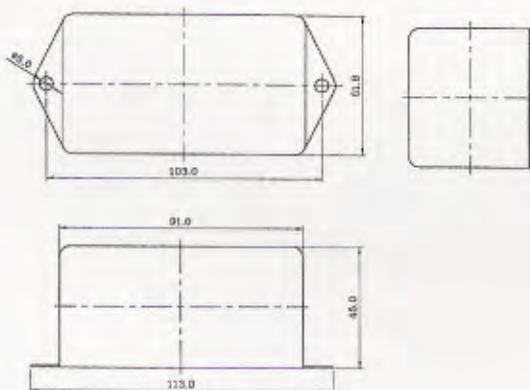


ITEM	MODEL	DL4L2- A-
RATED VOLTAGE		250V AC
RATED CURRENT		6A.10A.15A.20A
LEAK CURRENT		0.8mA MAX 250V,60HZ
LINE TO LINE		1400V DC
LINE TO GROUND		2200V DC
INSULATION RESISTANCE		100MΩMIN 250VDC
DIRECT CURRENT RESISTANCE		0.5ΩMAX
OPERATING TEMPERATURE		-25℃~+85℃

CIRCUIT

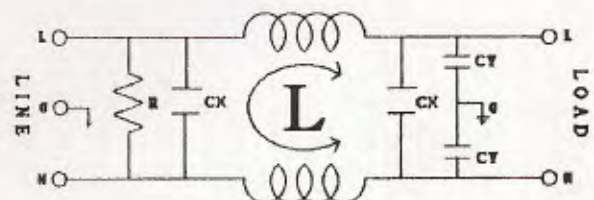


DIMENSION(mm)



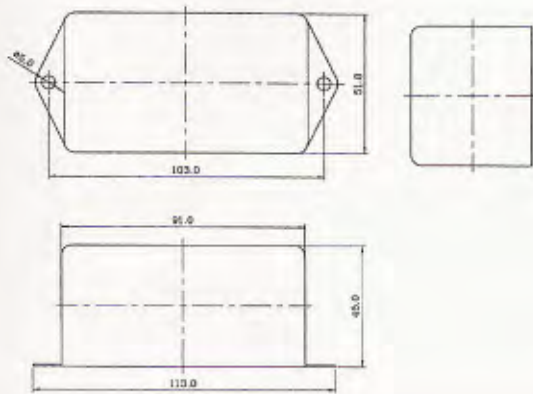
ITEM	MODEL	DL5A- A-
RATED VOLTAGE		250V AC
RATED CURRENT		6A.10A.15A.20A.30A
LEAK CURRENT		0.8mA MAX 250V,60HZ
LINE TO LINE		1400V DC
LINE TO GROUND		2200V DC
INSULATION RESISTANCE		100MΩMIN 250VDC
DIRECT CURRENT RESISTANCE		0.5ΩMAX
OPERATING TEMPERATURE		-25℃~+85℃

CIRCUIT



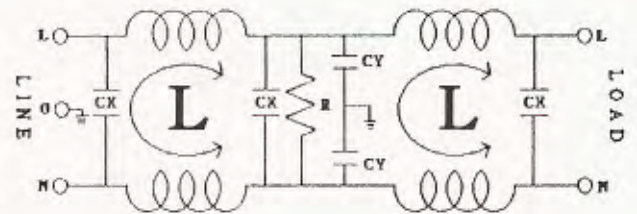


DIMENSION(mm)

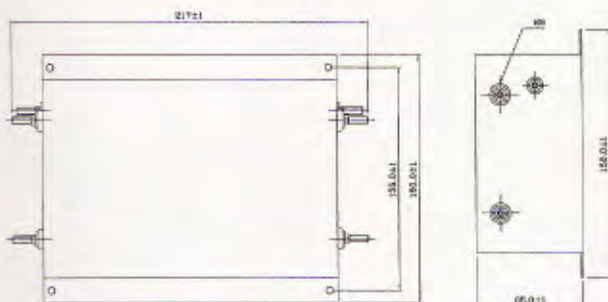


ITEM	MODEL	DL5B-	A-
RATED VOLTAGE		250V AC	
RATED CURRENT		6A.10A.15A.20A	
LEAK CURRENT		0.8mA MAX 250V,60HZ	
LINE TO LINE		1400V DC	
LINE TO GROUND		2200V DC	
INSULATION RESISTANCE		100MΩ MIN 250VDC	
DIRECT CURRENT RESISTANCE		0.5Ω MAX	
OPERATING TEMPERATURE		-25℃ ~ +85℃	

CIRCUIT

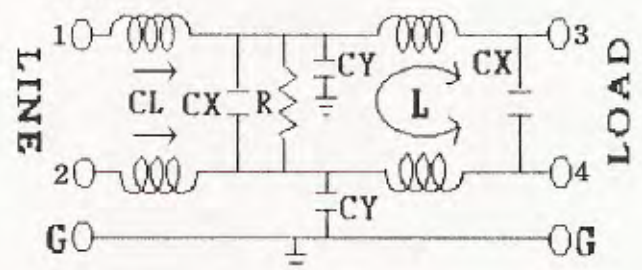


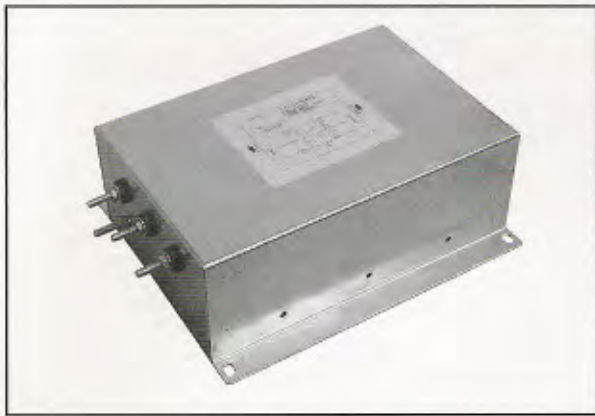
DIMENSION(mm)



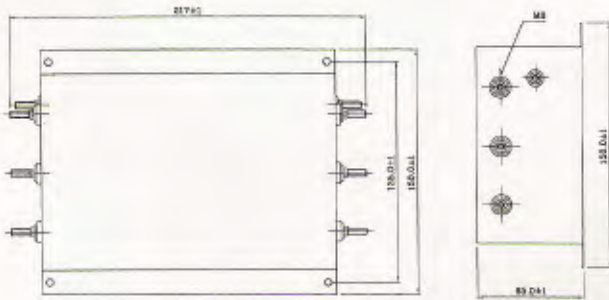
ITEM	MODEL	DL6A-	A-S
RATED VOLTAGE		250V AC	
RATED CURRENT		30A.40A.50A.60A	
LINE TO LINE		1400V DC	
LINE TO GROUND		2200V DC	
INSULATION RESISTANCE		100MΩ MIN 250VDC	
DIRECT CURRENT RESISTANCE		0.5Ω MAX	
OPERATING TEMPERATURE		-25℃ ~ +85℃	

CIRCUIT



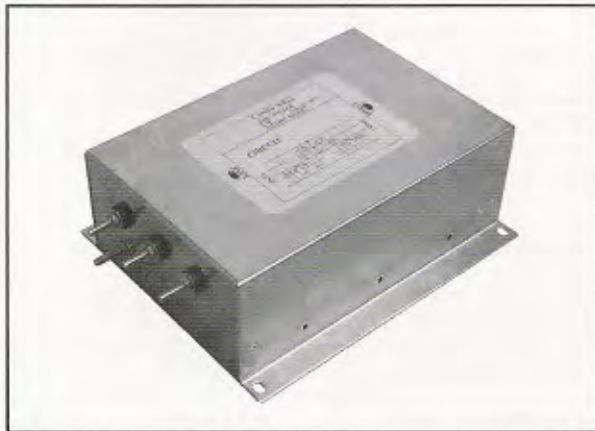
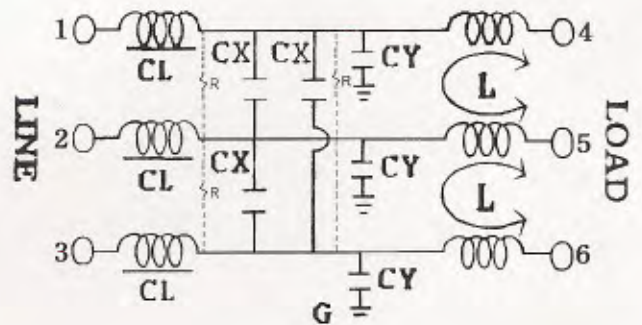


DIMENSION(mm)

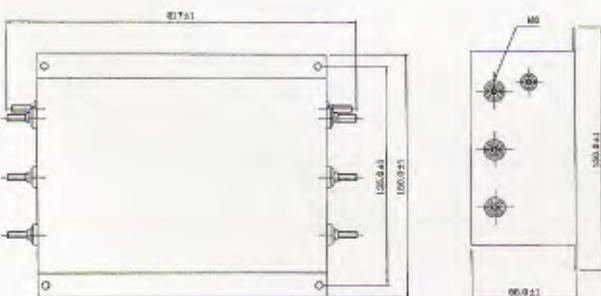


ITEM	MODEL	DL6B-	A-S
RATED VOLTAGE		250V AC	380V AC
RATED CURRENT		10A.20A.30A	
LINE TO LINE		1400V DC	
LINE TO GROUND		2200V DC	
INSULATION RESISTANCE		100MΩ MIN	250VDC
DIRECT CURRENT RESISTANCE		0.5Ω MAX	
OPERATING TEMPERATURE		-25℃	~+85℃

CIRCUIT

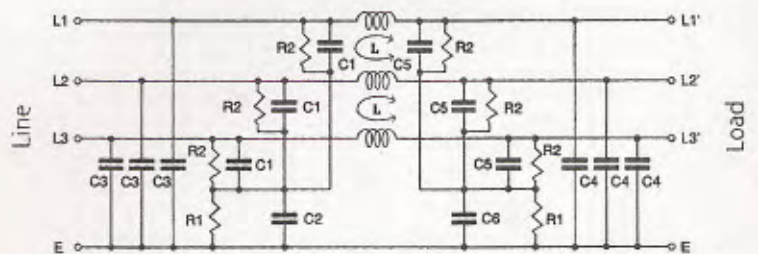


DIMENSION(mm)



ITEM	MODEL	DL6C-	A-S
RATED VOLTAGE		250V AC	380V AC
RATED CURRENT		10A.20A.30A	
LINE TO LINE		1400V DC	
LINE TO GROUND		2200V DC	
DIRECT CURRENT RESISTANCE		0.5Ω MAX	
OPERATING TEMPERATURE		-25℃	~+85℃

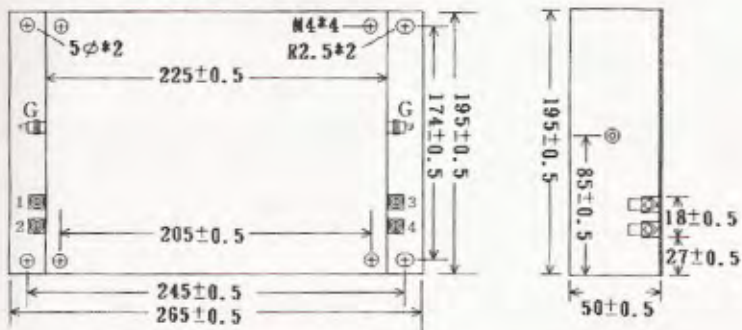
CIRCUIT



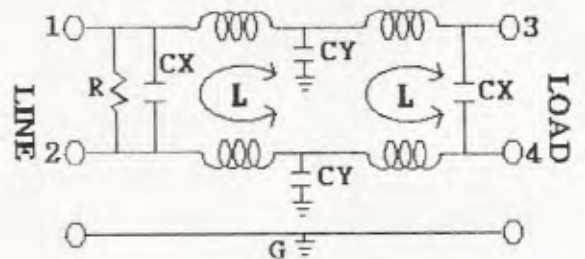


ITEM	MODEL	DL7A-	A-D
RATED VOLTAGE		250V AC	
RATED CURRENT		20A.30A.40A.50A	
LINE TO LINE		1400V DC	
LINE TO GROUND		2200V DC	
INSULATION RESISTANCE		100MΩMIN 250VDC	
DIRECT CURRENT RESISTANCE		0.1 Ω MAX	
OPERATING TEMPERATURE		-25°C~+85°C	

DIMENSION(mm)

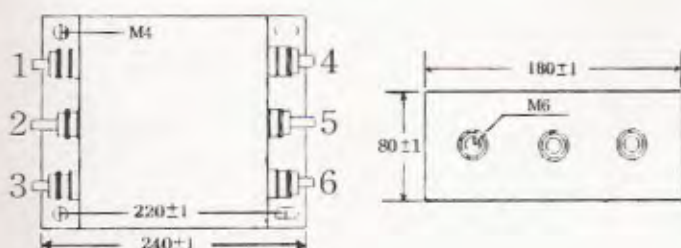


CIRCUIT

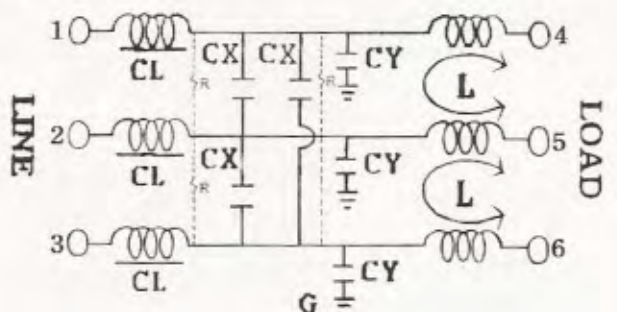


ITEM	MODEL	DL8A-	A-S
RATED VOLTAGE		250V AC 380V AC	
RATED CURRENT		40A.50A.60A	
LINE TO LINE		1400V DC	
LINE TO GROUND		2200V DC	
INSULATION RESISTANCE		100MΩMIN 250VDC	
DIRECT CURRENT RESISTANCE		0.5 Ω MAX	
OPERATING TEMPERATURE		-25°C~+85°C	

DIMENSION(mm)



CIRCUIT





该系列电源滤波器专为高性能电磁屏蔽房间配套，该电源滤波器的泄漏电流为mA级，压降<1%，在14KHz到40GHz频率范围内，插入损耗达100dB。

The series are suitable for high performance shielded rooms, leakage current: mA insertion loss can up to 100dB at 14KHz to 40GHz.

### 技术参数 Technical Data

#### 单相 / 三相四线电源滤波器

#### Single phase / Three phase power line filters

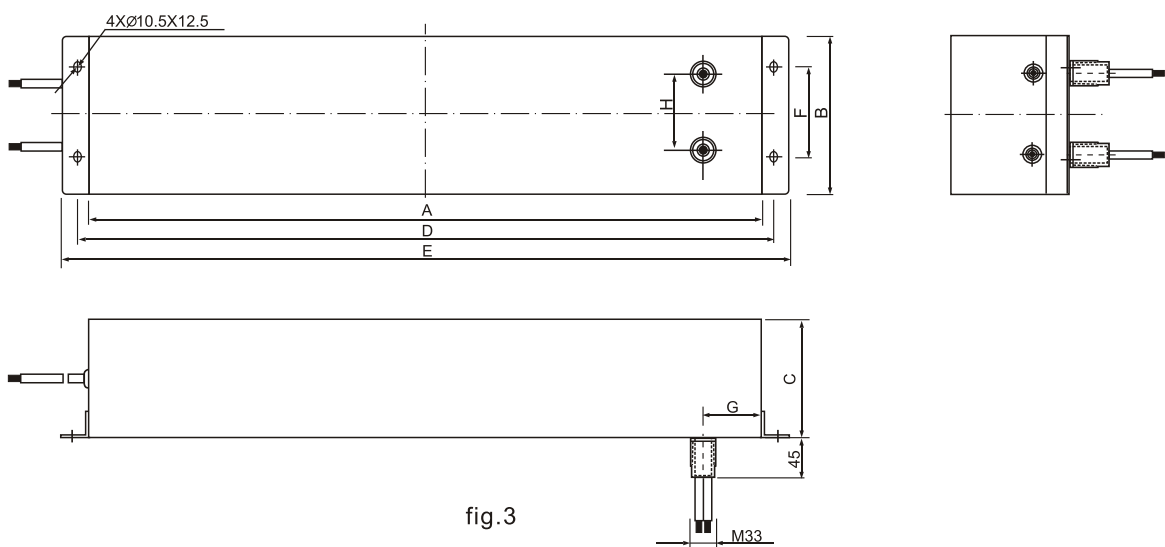
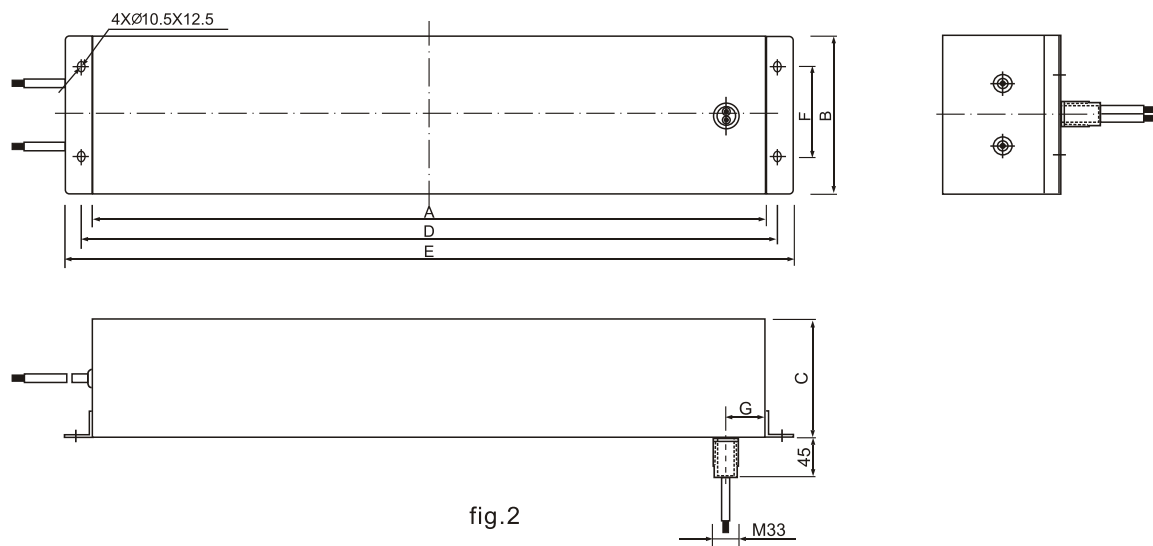
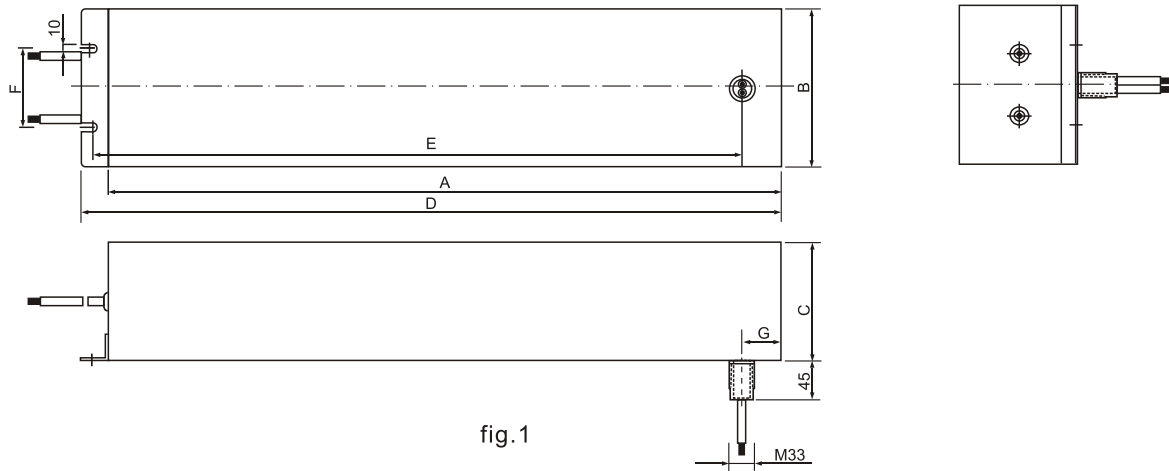
额定电压 $V_R$ (单相) Rated Voltage $V_R$ for two-line filters	250V (线-线 line-line) (线-地 line-ground)
额定电压 $V_R$ (三相) Rated Voltage $V_R$ for four-line filters	440V (线 - 线 line - line) 250V (线 - 地 line - ground)
额定电流 $I_R$ Rated current $I_R$	见特性(环境温度 + 40°C) See Characteristics (referred to +40°C ambient temperature)
工作频率 $f_R$ Rated Frequency $f_R$	50 / 60 Hz
耐压试验 Test Voltage	1000Vdc/2s (线 - 线 line / line) 1000Vdc/2s (线 - 地 line - ground)
电压降 $\Delta V$ Voltage drop / phase $\Delta V$	<1%(额定工作条件) <1%(of $V_R$ at 50Hz and $I_R$ )
泄漏电流 $I_{Leakage}$ Leakage current $I_{Leakage}$	见特性(额定工作条件) See Characteristics (at 400/230 and 50Hz)
气候类别 Climatic category	25 / 070 / 21

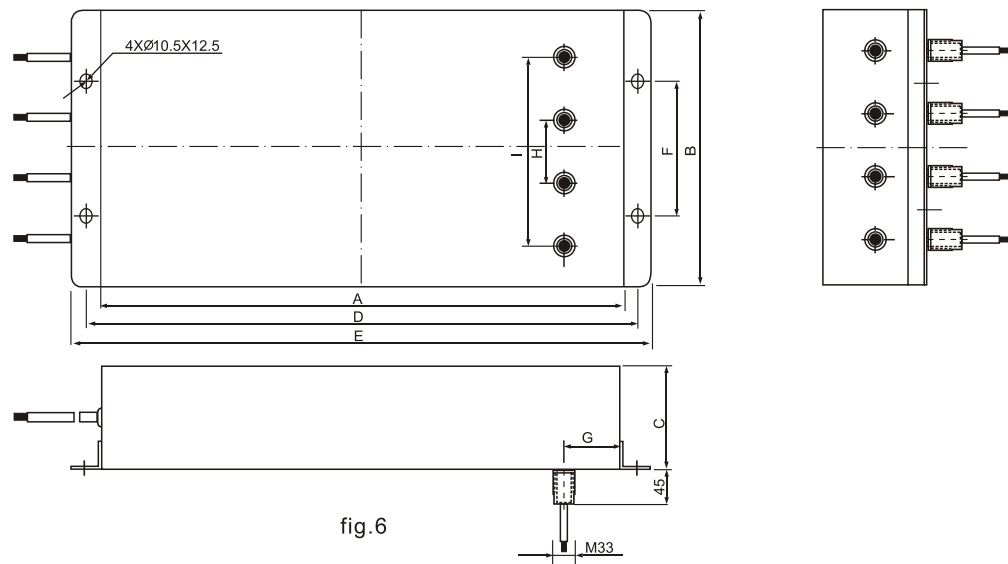
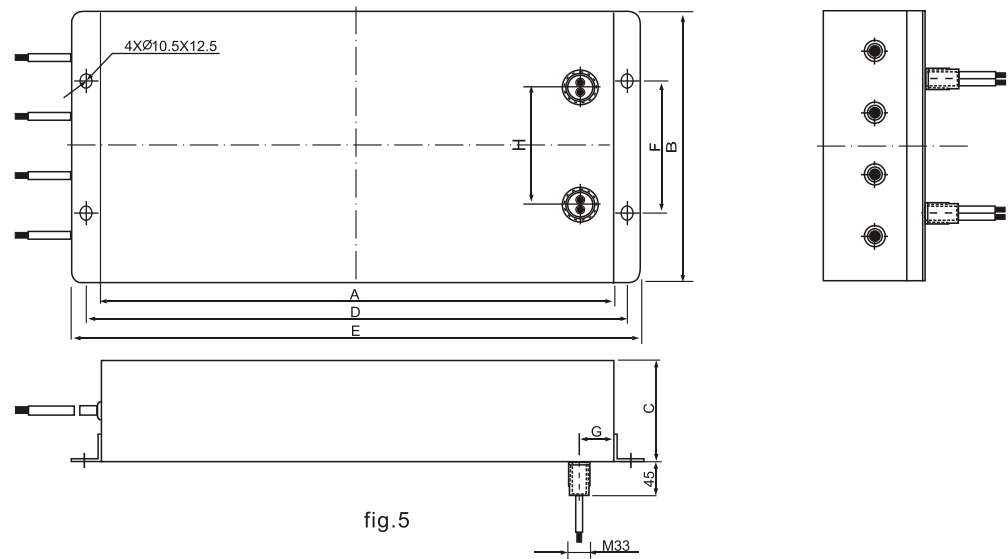
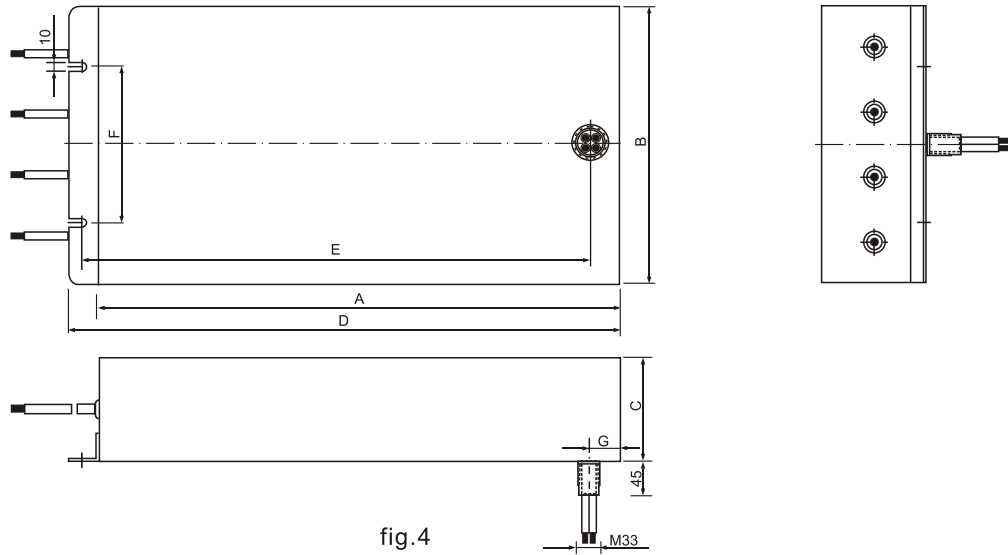
性能指标 Characteristics (Up to 40GHz)

Type	I <sub>R</sub> (A)	I <sub>leakage</sub> (A)	Dim.diagram	Insertion loss (dB)
DL-2160A-C1-1	2 X 16	0.2	1	100dB,14K-40GHz
DL-2320A-C1-1	2 X 32	0.2	1	100dB,14K-40GHz
DL-2500A-C1-1	2 X 50	0.2	1	100dB,14K-40GHz
DL-2630A-C1-1	2 X 63	0.2	1	100dB,14K-40GHz
DL-2700A-C1-1	2 X 70	0.2	1	100dB,14K-40GHz
DL-2101A-C1-1	2 X 100	0.5	2	100dB,14K-40GHz
DL-2151A-C1-1	2 X 150	1	3	100dB,14K-40GHz
DL-2201A-C1-1	2 X 200	1	3	100dB,14K-40GHz
DL-2301A-C1-1	2 X 300	1	3	100dB,14K-40GHz
DL-2451A-C1-1	2 X 450	1	3	100dB,14K-40GHz
DL-4160A-C1-1	4 X 16	0.2	4	100dB,14K-40GHz
DL-4320A-C1-1	4 X 32	0.2	4	100dB,14K-40GHz
DL-4500A-C1-1	4 X 50	0.2	4	100dB,14K-40GHz
DL-4630A-C1-1	4 X 63	0.2	4	100dB,14K-40GHz
DL-4700A-C1-1	4 X 70	0.2	4	100dB,14K-40GHz
DL-4101A-C1-1	4 X 100	0.5	5	100dB,14K-40GHz
DL-4151A-C1-1	4 X 150	1	6	100dB,14K-40GHz
DL-4201A-C1-1	4 X 200	1	6	100dB,14K-40GHz
DL-4301A-C1-1	4 X 300	1	6	100dB,14K-40GHz
DL-4451A-C1-1	4 X 450	1	6	100dB,14K-40GHz
DL-2160A-B1-1	2 X 16	0.2	1	100dB,100K-40GHz
DL-2320A-B1-1	2 X 32	0.2	1	100dB,100K-40GHz
DL-2500A-B1-1	2 X 50	0.2	1	100dB,100K-40GHz
DL-2630A-B1-1	2 X 63	0.2	1	100dB,100K-40GHz
DL-2700A-B1-1	2 X 70	0.2	1	100dB,100K-40GHz
DL-2101A-B1-1	2 X 100	0.5	2	100dB,100K-40GHz
DL-2151A-B1-1	2 X 150	1	3	100dB,100K-40GHz
DL-2201A-B1-1	2 X 200	1	3	100dB,100K-40GHz
DL-2301A-B1-1	2 X 300	1	3	100dB,100K-40GHz
DL-2451A-B1-1	2 X 450	1	3	100dB,100K-40GHz
DL-4160A-B1-1	4 X 16	0.2	4	100dB,100K-40GHz
DL-4320A-B1-1	4 X 32	0.2	4	100dB,100K-40GHz
DL-4500A-B1-1	4 X 50	0.2	4	100dB,100K-40GHz
DL-4630A-B1-1	4 X 63	0.2	4	100dB,100K-40GHz
DL-4700A-B1-1	4 X 70	0.2	4	100dB,100K-40GHz
DL-4101A-B1-1	4 X 100	0.5	5	100dB,100K-40GHz
DL-4151A-B1-1	4 X 150	1	6	100dB,100K-40GHz
DL-4201A-B1-1	4 X 200	1	6	100dB,100K-40GHz
DL-4301A-B1-1	4 X 300	1	6	100dB,100K-40GHz
DL-4451A-B1-1	4 X 450	1	6	100dB,100K-40GHz

Type	I <sub>R</sub> (A)	I <sub>leakage</sub> (A)	Dim.diagram	Insertion loss (dB)
DL-2160A-C1-2	2 X 16	0.2	1	100dB,14K-10GHz
DL-2320A-C1-2	2 X 32	0.2	1	100dB,14K-10GHz
DL-2500A-C1-2	2 X 50	0.2	1	100dB,14K-10GHz
DL-2630A-C1-2	2 X 63	0.2	1	100dB,14K-10GHz
DL-2700A-C1-2	2 X 70	0.2	1	100dB,14K-10GHz
DL-2101A-C1-2	2 X 100	0.5	2	100dB,14K-10GHz
DL-2151A-C1-2	2 X 150	1	3	100dB,14K-10GHz
DL-2201A-C1-2	2 X 200	1	3	100dB,14K-10GHz
DL-2301A-C1-2	2 X 300	1	3	100dB,14K-10GHz
DL-2451A-C1-2	2 X 450	1	3	100dB,14K-10GHz
DL-4160A-C1-2	4 X 16	0.2	4	100dB,14K-10GHz
DL-4320A-C1-2	4 X 32	0.2	4	100dB,14K-10GHz
DL-4500A-C1-2	4 X 50	0.2	4	100dB,14K-10GHz
DL-4630A-C1-2	4 X 63	0.2	4	100dB,14K-10GHz
DL-4700A-C1-2	4 X 70	0.2	4	100dB,14K-10GHz
DL-4101A-C1-2	4 X 100	0.5	5	100dB,14K-10GHz
DL-4151A-C1-2	4 X 150	1	6	100dB,14K-10GHz
DL-4201A-C1-2	4 X 200	1	6	100dB,14K-10GHz
DL-4301A-C1-2	4 X 300	1	6	100dB,14K-10GHz
DL-4451A-C1-2	4 X 450	1	6	100dB,14K-10GHz
DL-2160A-B1-2	2 X 16	0.2	1	100dB,100K-10GHz
DL-2320A-B1-2	2 X 32	0.2	1	100dB,100K-10GHz
DL-2500A-B1-2	2 X 50	0.2	1	100dB,100K-10GHz
DL-2630A-B1-2	2 X 63	0.2	1	100dB,100K-10GHz
DL-2700A-B1-2	2 X 70	0.2	1	100dB,100K-10GHz
DL-2101A-B1-2	2 X 100	0.5	2	100dB,100K-10GHz
DL-2151A-B1-2	2 X 150	1	3	100dB,100K-10GHz
DL-2201A-B1-2	2 X 200	1	3	100dB,100K-10GHz
DL-2301A-B1-2	2 X 300	1	3	100dB,100K-10GHz
DL-2451A-B1-2	2 X 450	1	3	100dB,100K-10GHz
DL-4160A-B1-2	4 X 16	0.2	4	100dB,100K-10GHz
DL-4320A-B1-2	4 X 32	0.2	4	100dB,100K-10GHz
DL-4500A-B1-2	4 X 50	0.2	4	100dB,100K-10GHz
DL-4630A-B1-2	4 X 63	0.2	4	100dB,100K-10GHz
DL-4700A-B1-2	4 X 70	0.2	4	100dB,100K-10GHz
DL-4101A-B1-2	4 X 100	0.5	5	100dB,100K-10GHz
DL-4151A-B1-2	4 X 150	1	6	100dB,100K-10GHz
DL-4201A-B1-2	4 X 200	1	6	100dB,100K-10GHz
DL-4301A-B1-2	4 X 300	1	6	100dB,100K-10GHz
DL-4451A-B1-2	4 X 450	1	6	100dB,100K-10GHz
DL-2160A-A1-2	2 X 16	0.2	1	70dB,150K-10GHz
DL-2320A-A1-2	2 X 32	0.2	1	70dB,150K-10GHz
DL-2500A-A1-2	2 X 50	0.2	1	70dB,150K-10GHz
DL-2630A-A1-2	2 X 63	0.2	1	70dB,150K-10GHz
DL-2700A-A1-2	2 X 70	0.2	1	70dB,150K-10GHz
DL-4160A-A1-2	4 X 16	0.2	4	70dB,150K-10GHz
DL-4320A-A1-2	4 X 32	0.2	4	70dB,150K-10GHz
DL-4500A-A1-2	4 X 50	0.2	4	70dB,150K-10GHz
DL-4630A-A1-2	4 X 63	0.2	4	70dB,150K-10GHz
DL-4700A-A1-2	4 X 70	0.2	4	70dB,150K-10GHz
DL-4101A-A1-2	4 X 100	0.5	5	70dB,150K-10GHz
DL-4151A-A1-2	4 X 150	1	6	70dB,150K-10GHz
DL-4201A-A1-2	4 X 200	1	6	70dB,150K-10GHz

外形尺寸 Outline Drawing and Dimensions(mm)





Dimensions(mm)

Type	A	B	C	D	E	F	G	H	I		
DL-2160A-A1-*	380	160	140	400	360	100	30				
DL-2320A-A1-*											
DL-2500A-A1-*											
DL-2630A-A1-*											
DL-2700A-A1-*											
DL-2160A-B1-*	600	160	120	635	585	100	35				
DL-2320A-B1-*											
DL-2500A-B1-*											
DL-2630A-B1-*											
DL-2700A-B1-*											
DL-2101A-B1-*	660	260	150	690	720	160	60	140			
DL-2151A-B1-*	880			910	940						
DL-2201A-B1-*	1200			200	1230					1260	75
DL-2301A-B1-*											
DL-2451A-B1-*											
DL-2160A-C1-*	770	160	120	805	775	100	35				
DL-2320A-C1-*											
DL-2500A-C1-*											
DL-2630A-C1-*											
DL-2700A-C1-*											
DL-2101A-C1-*	850	260	150	880	910	160	50	140			
DL-2151A-C1-*	1000			1030	1060						
DL-2201A-C1-*	1400			200	1430					1460	75
DL-2301A-C1-*											
DL-2451A-C1-*											

Type	A	B	C	D	E	F	G	H	I								
DL-4160A-A1-*	380	320	140	400	360	180	30										
DL-4320A-A1-*																	
DL-4500A-A1-*																	
DL-4630A-A1-*																	
DL-4700A-A1-*																	
DL-4101A-A1-*	540	400	150	570	600	200	50	160	210								
DL-4151A-A1-*	1200							70									
DL-4201A-A1-*																	
DL-4160A-B1-*								600		320	120	635	585	180	35		
DL-4320A-B1-*																	
DL-4500A-B1-*																	
DL-4630A-B1-*																	
DL-4700A-B1-*																	
DL-4101A-B1-*	660	400	150	690	720	200	60	160	300								
DL-4151A-B1-*	880			910	940			75									
DL-4201A-B1-*	1200			200	1230			1260		75							
DL-4301A-B1-*																	
DL-4451A-B1-*																	
DL-4160A-C1-*	880	320	120	915	865	180	35										
DL-4320A-C1-*																	
DL-4500A-C1-*																	
DL-4630A-C1-*																	
DL-4700A-C1-*																	
DL-4101A-C1-*	1000	400	150	910	940	200	50	160	300								
DL-4151A-C1-*				1400	1030			1060		75							
DL-4201A-C1-*																	
DL-4301A-C1-*																	
DL-4451A-C1-*																	

# 屏蔽房用地线专用电源滤波器

## Ground Wire Special Filter For Shielded Rooms



### 特点 Features

- 额定电压  
Rated Voltage: 220VAC, 500VDC
- 工作频率  
Operating Frequency: 0-60Hz
- 电压降  
Voltage drop: Less than 1V @ power factor.

### 性能指标 Characteristics

Type	I <sub>r</sub> (A)	Dim. diagram	Insertion Loss(dB)per MIL-STD 220A
DL-160A-C-1	16	1	100dB, 14K-40GHz
DL-320A-C-1	32	1	100dB, 20K-40GHz
DL-500A-C-1	50	1	100dB, 30K-40GHz
DL-630A-C-1	63	1	100dB, 30K-40GHz
DL-700A-C-1	70	1	100dB, 30K-40GHz
DL-160A-C-2	16	1	100dB, 14K-10GHz
DL-320A-C-2	32	1	100dB, 20K-10GHz
DL-500A-C-2	50	1	100dB, 30K-10GHz
DL-630A-C-2	63	1	100dB, 30K-10GHz
DL-700A-C-2	70	1	100dB, 30K-10GHz
DL-160A-B-2	16	3	100dB, 100K-10GHz
DL-320A-B-2	32	3	100dB, 100K-10GHz
DL-500A-B-2	50	3	100dB, 100K-10GHz
DL-630A-B-2	63	3	100dB, 100K-10GHz
DL-700A-B-2	70	3	100dB, 100K-10GHz
DL-160A-A-2	16	1	70dB, 150K-10GHz
DL-320A-A-2	32	1	70dB, 150K-10GHz
DL-500A-A-2	50	1	70dB, 150K-10GHz
DL-630A-A-2	63	1	70dB, 150K-10GHz
DL-700A-A-2	70	1	70dB, 150K-10GHz
DL-151A-A-2	150	2	70dB, 150K-10GHz
DL-201A-A-2	200	3	70dB, 150K-10GHz

外形尺寸 Outline Drawing and Dimensions(mm)

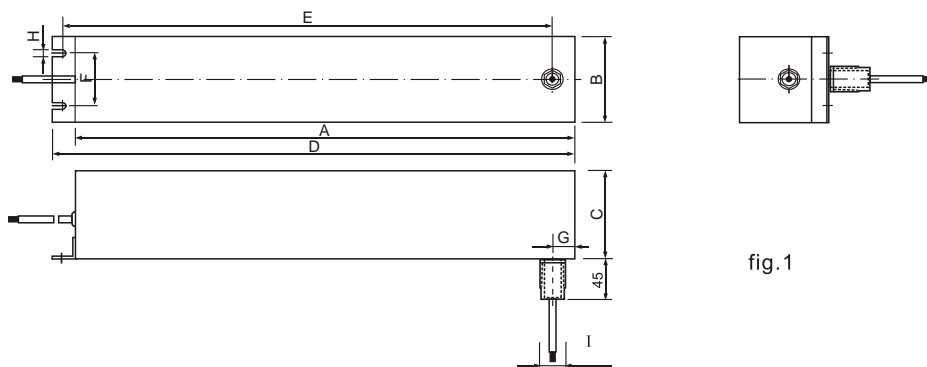


fig.1

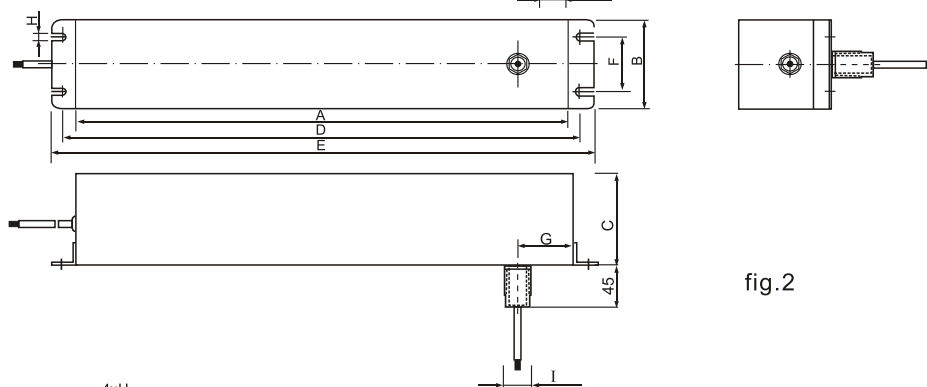


fig.2

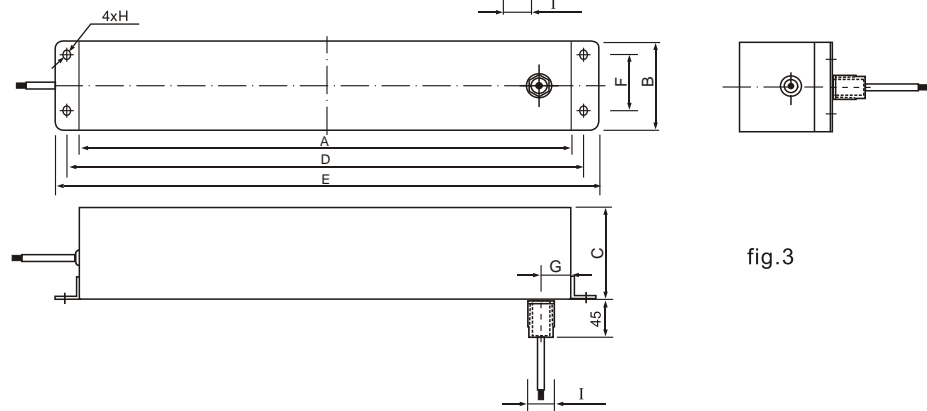


fig.3

Type	A	B	C	D	E	F	G	H	I
DL-160A-C-*	760	110	135	795	750	60	30	10	M16
DL-320A-C-*									
DL-500A-C-*									
DL-630A-C-*									
DL-700A-C-*									
DL-101A-C-*	760	130	135	790	820	80	30	∅10.5X12.5	M33
DL-160A-B-*	660	130	135	690	720	80	30	∅10.5X12.5	M16
DL-320A-B-*									
DL-500A-B-*									
DL-630A-B-*									
DL-700A-B-*									
DL-101A-B-*	760	130	135	790	820	30	80	∅10.5X12.5	M33
DL-160A-A-*	380	110	140	400	370	60	20	6	M16
DL-320A-A-*									
DL-500A-A-*									
DL-630A-A-*									
DL-700A-A-*									
DL-101A-A-*	440	130	140	480	510	80	50	10	M33
DL-201A-A-*	600	200	240	630	660	100	35	∅10.5X12.5	M33

# 屏蔽设施类信号滤波器

## Signal-Filters For Shielded Rooms



型号规格 TYPE	电压 VOLTAGE	电流 CURRENT	线数 WIRE NUMBER	外形 DIMENSION	适用范围 APPLICATION
XL-3	250VDC	0.3A	2	1	电话、传真、直流开关信号 TELEPHONE FAX DC SWITCH SIGNAL
XL-K2	250VAC	2A	2		特种电话、交直流开关信号、 空调控制、消防报警、消防广 播、话筒、门禁 SPECIAL TELEPHONE DC AND AC SWITCH SIGNAL AIR CONDITIONER FIRE ALARM FIRE ALARM BROADCAST MIKE GATE CONTROL
XL-V1	100VDC	1A	1	2	视频信号、空调控制 VIDEO SIGNAL AIR CONDITIONER
XL-V2	100VDC	2A	2	3	特种电话、空调控制、消防 报警、监控控制、门禁 SPECIAL TELEPHONE AIR CONDITIONER FIRE ALARM MONITOR GATE CONTROL

以上信号滤波器可以满足C级屏蔽房和各类吸波暗室的屏蔽要求。

如果控制数量超过2根或电流大于2A，订货时请注明具体的控制线数量与电流大小。

THE ABOVE SIGNAL FILTERS CAN MEET THE REQUIREMENTS OF CLASS C SHIELD ROOM AND ALL KINDS OF ANECHOIC CHAMBER.  
IF WIRE NUMBER IS MORE THAN 2 OR CURRENT IS MORE THAN 2A, PLEASE TELL US THE DETAILS WHEN ORDER FROM US.

### 外形尺寸 Outline Drawing and Dimensions(mm)

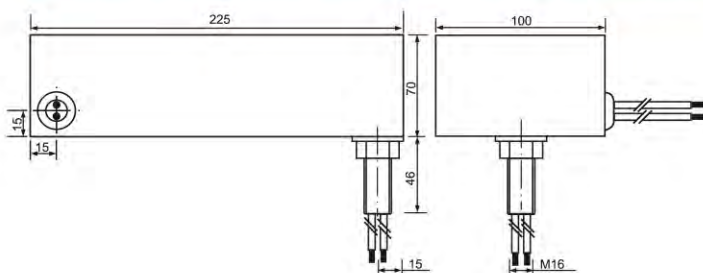


fig.1

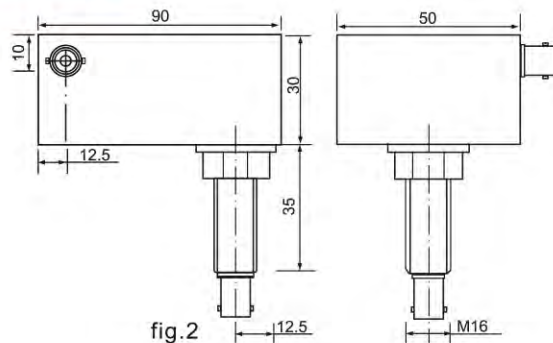


fig.2

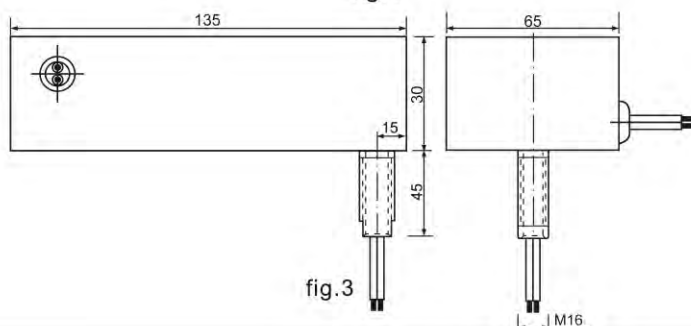


fig.3



该系列滤波器主要用于大容量的工业电气设备，如变频装置，净化电源屏蔽房及电子方舱等，抑制沿电源线传导的电磁干扰。具有抗饱和能力强，有较好的谐波抑制功能。

The series are suitable for large capacity industrial electric equipments, such as inverters, power purified, shield rooms, as well as movable shielded cabinet containing electronic equipments to suppress the electromagnetic interference along power lines.

### 技术参数 Technical Data

额定电压 Rated Voltage	220/380VAC 500VDC
工作频率 Operating Frequency	50/60Hz
耐压试验:(一分钟) Test Voltage (1min)	1000VDC (line/line) 1000VDC (line/ground)
泄漏电流 Leakage Current	220V/50Hz 状态测量
气候类别 Climatic Category	25/070/21

型号 Model	额定电流 Rated Current (A)	泄漏电流 Leakage Current ≤(A)	插入损耗(50Ω测试系统) Insertion Loss (Measured in 50Ω)		外形尺寸 Dimension fig.
			频率(Hz)Frequency(Hz)	插入损耗(dB)IL(dB)	
DL-15A	15	0.32	0.15M~10G/40G	70~100	1
DL-25A	25	0.32	0.15M~10G/40G	70~100	1
DL-50A	50	0.32	0.15M~10G/40G	70~100	1
DL-2X15A	15	0.42	0.15M~10G/40G	70~100	2
DL-2X25A	25	0.46	0.15M~10G/40G	70~100	2
DL-2X1C	1	0.33	14K~10G/40G	100	3
DL-2X3C	3	0.6	14K~10G/40G	100	3
DL-2X6C	6	0.9	14K~10G/40G	100	3
DL-2X20C	20	6.6	14K~10G/40G	100	3
DL-2X30C	30	6.6	14K~10G/40G	100	3

外形尺寸 Outline Drawing and Dimensions (mm)

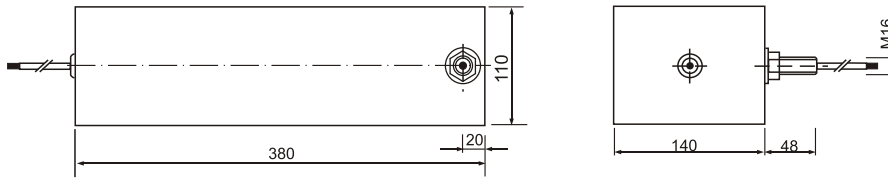


fig.1

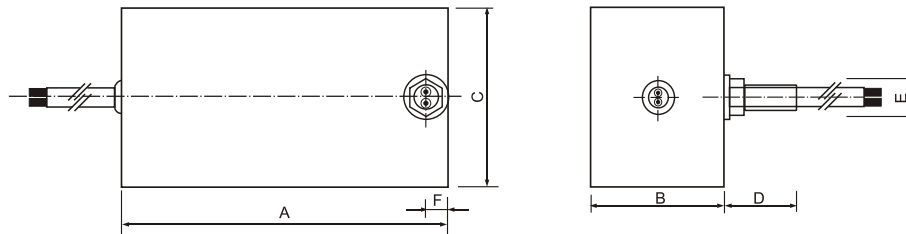


fig.2

型号 Model	A	B	C	D	E	F
DL - 2X15A	220	90	120	42	M16	15
DL - 2X25A						

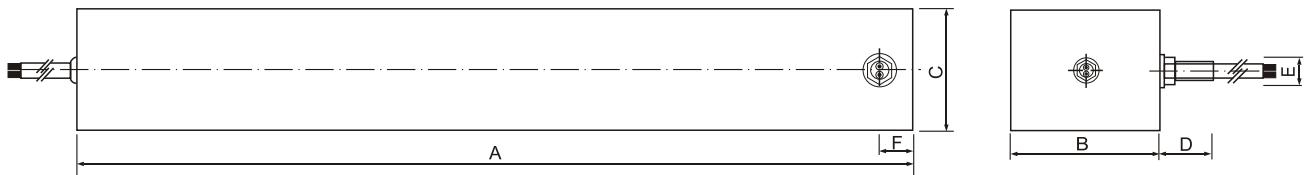


fig.3

型号 Model	A	B	C	D	E	F
DL-2X1C	300	100	150	46	M16	20
DL-2X3C	310	110	160	46	M16	15
DL-2X6C						
DL-2X20C	760	120	200	46	M24	30
DL-2X30C						