



该系列电源滤波器专为高性能电磁屏蔽房间配套，该电源滤波器的泄漏电流为mA级，压降<1%，在14KHz到40GHz频率范围内，插入损耗达100dB。

The series are suitable for high performance shielded rooms, leakage current : mA insertion loss can up to 100dB at 14KHz to 40GHz.

技术参数 Technical Data

单相 / 三相四线电源滤波器

Single phase / Three phase power line filters

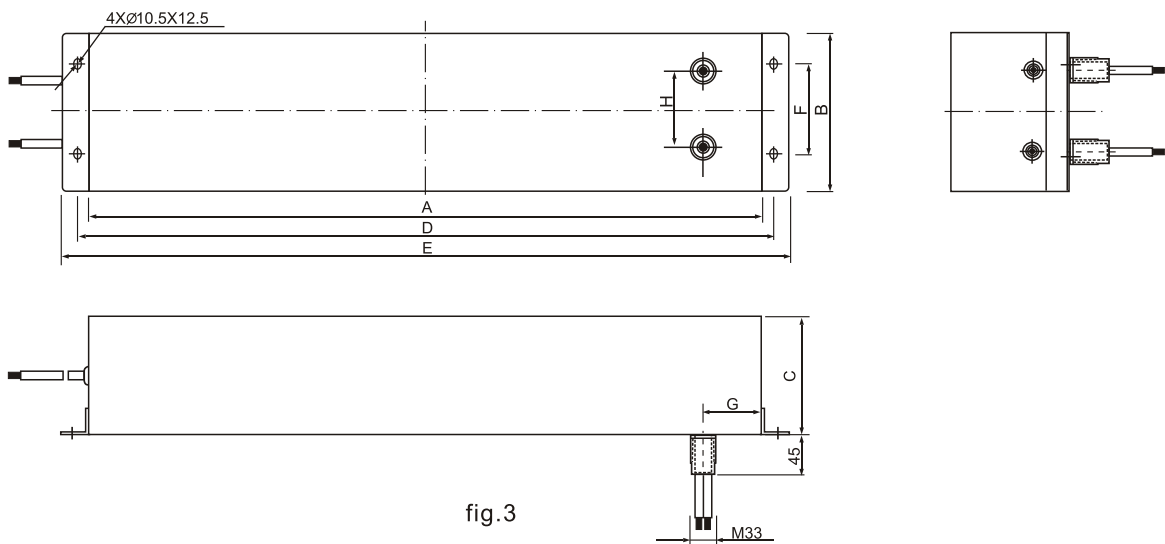
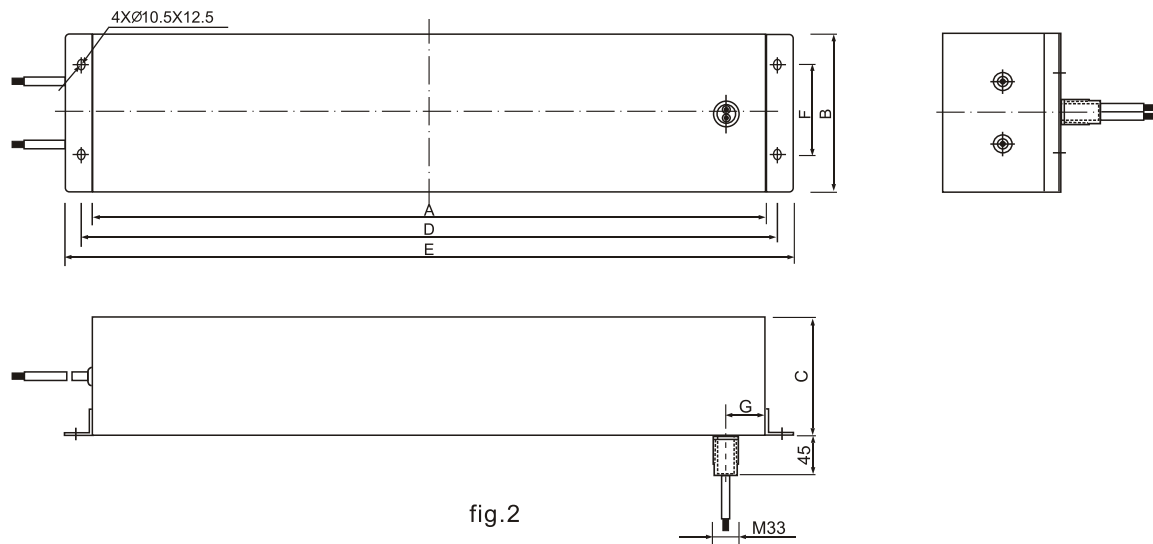
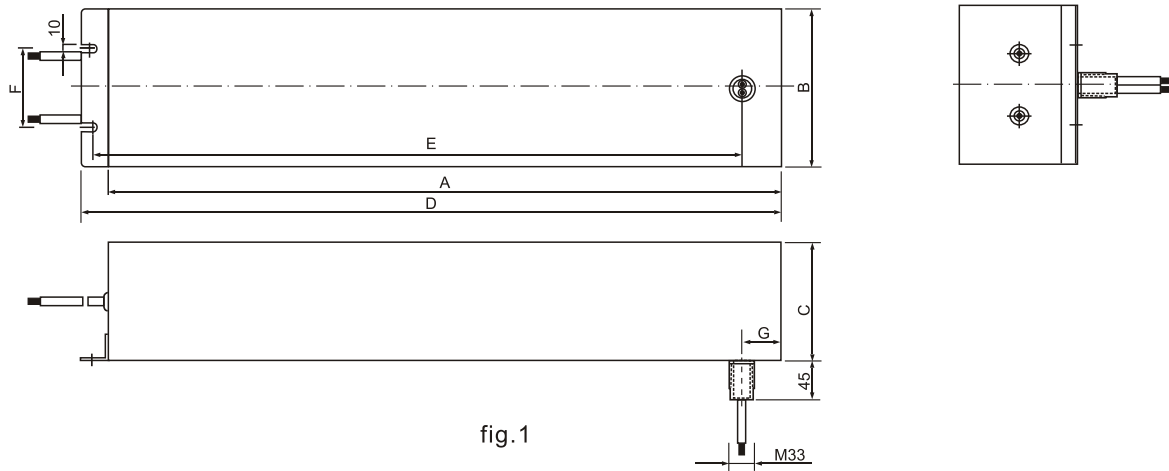
额定电压 V_R (单相) Rated Voltage V_R for two-line filters	250V (线-线 line-line) (线-地 line-ground)
额定电压 V_R (三相) Rated Voltage V_R for four-line filters	440V (线 - 线 line - line) 250V (线 - 地 line - ground)
额定电流 I_R Rated current I_R	见特性(环境温度 + 40°C) See Characteristics (referred to +40°C ambient temperature)
工作频率 f_R Rated Frequency f_R	50 / 60 Hz
耐压试验 Test Voltage	1000Vdc/2s (线 - 线 line / line) 1000Vdc/2s (线 - 地 line - ground)
电压降 ΔV Voltage drop / phase ΔV	<1%(额定工作条件) <1%(of V_R at 50Hz and I_R)
泄漏电流 $I_{Leakage}$ Leakage current $I_{Leakage}$	见特性(额定工作条件) See Characteristics (at 400/230 and 50Hz)
气候类别 Climatic category	25 / 070 / 21

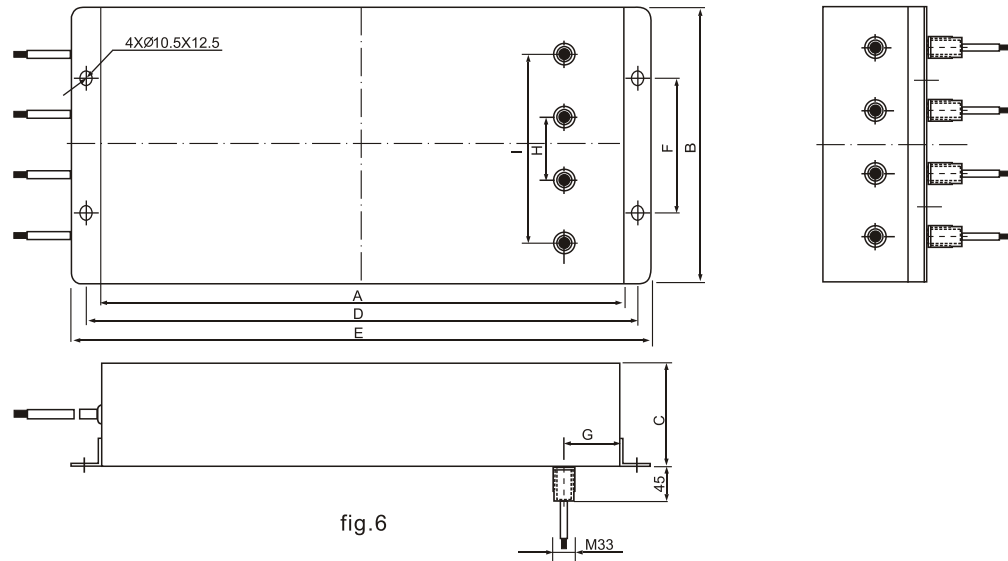
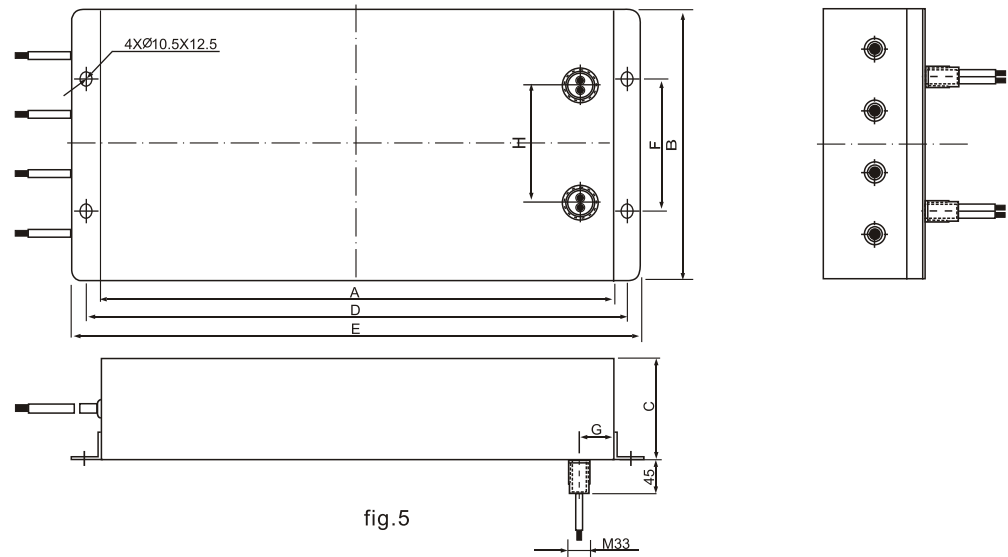
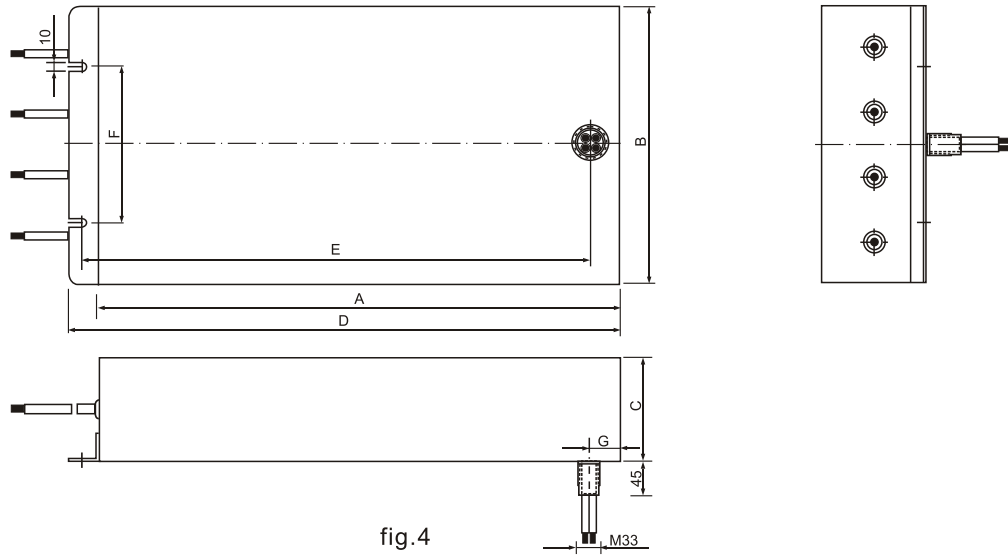
性能指标 Characteristics (Up to 40GHz)

Type	I _R (A)	I _{leakage} (A)	Dim.diagram	Insertion loss (dB)
DL-2160A-C1-1	2 X 16	0.2	1	100dB,14K-40GHz
DL-2320A-C1-1	2 X 32	0.2	1	100dB,14K-40GHz
DL-2500A-C1-1	2 X 50	0.2	1	100dB,14K-40GHz
DL-2630A-C1-1	2 X 63	0.2	1	100dB,14K-40GHz
DL-2700A-C1-1	2 X 70	0.2	1	100dB,14K-40GHz
DL-2101A-C1-1	2 X 100	0.5	2	100dB,14K-40GHz
DL-2151A-C1-1	2 X 150	1	3	100dB,14K-40GHz
DL-2201A-C1-1	2 X 200	1	3	100dB,14K-40GHz
DL-2301A-C1-1	2 X 300	1	3	100dB,14K-40GHz
DL-2451A-C1-1	2 X 450	1	3	100dB,14K-40GHz
DL-4160A-C1-1	4 X 16	0.2	4	100dB,14K-40GHz
DL-4320A-C1-1	4 X 32	0.2	4	100dB,14K-40GHz
DL-4500A-C1-1	4 X 50	0.2	4	100dB,14K-40GHz
DL-4630A-C1-1	4 X 63	0.2	4	100dB,14K-40GHz
DL-4700A-C1-1	4 X 70	0.2	4	100dB,14K-40GHz
DL-4101A-C1-1	4 X 100	0.5	5	100dB,14K-40GHz
DL-4151A-C1-1	4 X 150	1	6	100dB,14K-40GHz
DL-4201A-C1-1	4 X 200	1	6	100dB,14K-40GHz
DL-4301A-C1-1	4 X 300	1	6	100dB,14K-40GHz
DL-4451A-C1-1	4 X 450	1	6	100dB,14K-40GHz
DL-2160A-B1-1	2 X 16	0.2	1	100dB,100K-40GHz
DL-2320A-B1-1	2 X 32	0.2	1	100dB,100K-40GHz
DL-2500A-B1-1	2 X 50	0.2	1	100dB,100K-40GHz
DL-2630A-B1-1	2 X 63	0.2	1	100dB,100K-40GHz
DL-2700A-B1-1	2 X 70	0.2	1	100dB,100K-40GHz
DL-2101A-B1-1	2 X 100	0.5	2	100dB,100K-40GHz
DL-2151A-B1-1	2 X 150	1	3	100dB,100K-40GHz
DL-2201A-B1-1	2 X 200	1	3	100dB,100K-40GHz
DL-2301A-B1-1	2 X 300	1	3	100dB,100K-40GHz
DL-2451A-B1-1	2 X 450	1	3	100dB,100K-40GHz
DL-4160A-B1-1	4 X 16	0.2	4	100dB,100K-40GHz
DL-4320A-B1-1	4 X 32	0.2	4	100dB,100K-40GHz
DL-4500A-B1-1	4 X 50	0.2	4	100dB,100K-40GHz
DL-4630A-B1-1	4 X 63	0.2	4	100dB,100K-40GHz
DL-4700A-B1-1	4 X 70	0.2	4	100dB,100K-40GHz
DL-4101A-B1-1	4 X 100	0.5	5	100dB,100K-40GHz
DL-4151A-B1-1	4 X 150	1	6	100dB,100K-40GHz
DL-4201A-B1-1	4 X 200	1	6	100dB,100K-40GHz
DL-4301A-B1-1	4 X 300	1	6	100dB,100K-40GHz
DL-4451A-B1-1	4 X 450	1	6	100dB,100K-40GHz

Type	I _R (A)	I _{leakage} (A)	Dim.diagram	Insertion loss (dB)
DL-2160A-C1-2	2 X 16	0.2	1	100dB,14K-10GHz
DL-2320A-C1-2	2 X 32	0.2	1	100dB,14K-10GHz
DL-2500A-C1-2	2 X 50	0.2	1	100dB,14K-10GHz
DL-2630A-C1-2	2 X 63	0.2	1	100dB,14K-10GHz
DL-2700A-C1-2	2 X 70	0.2	1	100dB,14K-10GHz
DL-2101A-C1-2	2 X 100	0.5	2	100dB,14K-10GHz
DL-2151A-C1-2	2 X 150	1	3	100dB,14K-10GHz
DL-2201A-C1-2	2 X 200	1	3	100dB,14K-10GHz
DL-2301A-C1-2	2 X 300	1	3	100dB,14K-10GHz
DL-2451A-C1-2	2 X 450	1	3	100dB,14K-10GHz
DL-4160A-C1-2	4 X 16	0.2	4	100dB,14K-10GHz
DL-4320A-C1-2	4 X 32	0.2	4	100dB,14K-10GHz
DL-4500A-C1-2	4 X 50	0.2	4	100dB,14K-10GHz
DL-4630A-C1-2	4 X 63	0.2	4	100dB,14K-10GHz
DL-4700A-C1-2	4 X 70	0.2	4	100dB,14K-10GHz
DL-4101A-C1-2	4 X 100	0.5	5	100dB,14K-10GHz
DL-4151A-C1-2	4 X 150	1	6	100dB,14K-10GHz
DL-4201A-C1-2	4 X 200	1	6	100dB,14K-10GHz
DL-4301A-C1-2	4 X 300	1	6	100dB,14K-10GHz
DL-4451A-C1-2	4 X 450	1	6	100dB,14K-10GHz
DL-2160A-B1-2	2 X 16	0.2	1	100dB,100K-10GHz
DL-2320A-B1-2	2 X 32	0.2	1	100dB,100K-10GHz
DL-2500A-B1-2	2 X 50	0.2	1	100dB,100K-10GHz
DL-2630A-B1-2	2 X 63	0.2	1	100dB,100K-10GHz
DL-2700A-B1-2	2 X 70	0.2	1	100dB,100K-10GHz
DL-2101A-B1-2	2 X 100	0.5	2	100dB,100K-10GHz
DL-2151A-B1-2	2 X 150	1	3	100dB,100K-10GHz
DL-2201A-B1-2	2 X 200	1	3	100dB,100K-10GHz
DL-2301A-B1-2	2 X 300	1	3	100dB,100K-10GHz
DL-2451A-B1-2	2 X 450	1	3	100dB,100K-10GHz
DL-4160A-B1-2	4 X 16	0.2	4	100dB,100K-10GHz
DL-4320A-B1-2	4 X 32	0.2	4	100dB,100K-10GHz
DL-4500A-B1-2	4 X 50	0.2	4	100dB,100K-10GHz
DL-4630A-B1-2	4 X 63	0.2	4	100dB,100K-10GHz
DL-4700A-B1-2	4 X 70	0.2	4	100dB,100K-10GHz
DL-4101A-B1-2	4 X 100	0.5	5	100dB,100K-10GHz
DL-4151A-B1-2	4 X 150	1	6	100dB,100K-10GHz
DL-4201A-B1-2	4 X 200	1	6	100dB,100K-10GHz
DL-4301A-B1-2	4 X 300	1	6	100dB,100K-10GHz
DL-4451A-B1-2	4 X 450	1	6	100dB,100K-10GHz
DL-2160A-A1-2	2 X 16	0.2	1	70dB,150K-10GHz
DL-2320A-A1-2	2 X 32	0.2	1	70dB,150K-10GHz
DL-2500A-A1-2	2 X 50	0.2	1	70dB,150K-10GHz
DL-2630A-A1-2	2 X 63	0.2	1	70dB,150K-10GHz
DL-2700A-A1-2	2 X 70	0.2	1	70dB,150K-10GHz
DL-4160A-A1-2	4 X 16	0.2	4	70dB,150K-10GHz
DL-4320A-A1-2	4 X 32	0.2	4	70dB,150K-10GHz
DL-4500A-A1-2	4 X 50	0.2	4	70dB,150K-10GHz
DL-4630A-A1-2	4 X 63	0.2	4	70dB,150K-10GHz
DL-4700A-A1-2	4 X 70	0.2	4	70dB,150K-10GHz
DL-4101A-A1-2	4 X 100	0.5	5	70dB,150K-10GHz
DL-4151A-A1-2	4 X 150	1	6	70dB,150K-10GHz
DL-4201A-A1-2	4 X 200	1	6	70dB,150K-10GHz

外形尺寸 Outline Drawing and Dimensions(mm)





Dimensions(mm)

Type	A	B	C	D	E	F	G	H	I					
DL-2160A-A1-*	380	160	140	400	360	100	30							
DL-2320A-A1-*														
DL-2500A-A1-*														
DL-2630A-A1-*														
DL-2700A-A1-*														
DL-2160A-B1-*	600	160	120	635	585	100	35							
DL-2320A-B1-*														
DL-2500A-B1-*														
DL-2630A-B1-*														
DL-2700A-B1-*														
DL-2101A-B1-*	880	260	150	690	720	160	60	140						
DL-2151A-B1-*														
DL-2201A-B1-*			1200	200	1230					1260	75	140		
DL-2301A-B1-*														
DL-2451A-B1-*														
DL-2160A-C1-*	770	160	120	805	775	100	35							
DL-2320A-C1-*														
DL-2500A-C1-*														
DL-2630A-C1-*														
DL-2700A-C1-*														
DL-2101A-C1-*	1000	260	150	880	910	160	50	140						
DL-2151A-C1-*														
DL-2201A-C1-*			1400	200	1430					1460	75	140		
DL-2301A-C1-*														
DL-2451A-C1-*														

Type	A	B	C	D	E	F	G	H	I					
DL-4160A-A1-*	380	320	140	400	360	180	30							
DL-4320A-A1-*														
DL-4500A-A1-*														
DL-4630A-A1-*														
DL-4700A-A1-*														
DL-4101A-A1-*	540	150	570	600	50	160	70	210						
DL-4151A-A1-*														
DL-4201A-A1-*														
DL-4160A-B1-*	600	320	120	635	585	180	35							
DL-4320A-B1-*														
DL-4500A-B1-*														
DL-4630A-B1-*														
DL-4700A-B1-*														
DL-4101A-B1-*	880	400	150	690	720	200	60	100	300					
DL-4151A-B1-*														
DL-4201A-B1-*			1200	200	1230					1260	75	100	300	
DL-4301A-B1-*														
DL-4451A-B1-*														
DL-4160A-C1-*	880	320	120	915	865	180	35							
DL-4320A-C1-*														
DL-4500A-C1-*														
DL-4630A-C1-*														
DL-4700A-C1-*														
DL-4101A-C1-*	1000	400	150	910	940	200	50	100	300					
DL-4151A-C1-*														
DL-4201A-C1-*			1400	200	1430					1460	75	100	300	
DL-4301A-C1-*														
DL-4451A-C1-*														

屏蔽房用地线专用电源滤波器

Ground Wire Special Filter For Shielded Rooms



特点 Features

- 额定电压
Rated Voltage: 220VAC, 500VDC
- 工作频率
Operating Frequency: 0-60Hz
- 电压降
Voltage drop: Less than 1V @ power factor.

性能指标 Characteristics

Type	I _R (A)	Dim. diagram	Insertion Loss(dB)per MIL-STD 220A
DL-160A-C-1	16	1	100dB, 14K-40GHz
DL-320A-C-1	32	1	100dB, 20K-40GHz
DL-500A-C-1	50	1	100dB, 30K-40GHz
DL-630A-C-1	63	1	100dB, 30K-40GHz
DL-700A-C-1	70	1	100dB, 30K-40GHz
DL-160A-C-2	16	1	100dB, 14K-10GHz
DL-320A-C-2	32	1	100dB, 20K-10GHz
DL-500A-C-2	50	1	100dB, 30K-10GHz
DL-630A-C-2	63	1	100dB, 30K-10GHz
DL-700A-C-2	70	1	100dB, 30K-10GHz
DL-160A-B-2	16	3	100dB, 100K-10GHz
DL-320A-B-2	32	3	100dB, 100K-10GHz
DL-500A-B-2	50	3	100dB, 100K-10GHz
DL-630A-B-2	63	3	100dB, 100K-10GHz
DL-700A-B-2	70	3	100dB, 100K-10GHz
DL-160A-A-2	16	1	70dB, 150K-10GHz
DL-320A-A-2	32	1	70dB, 150K-10GHz
DL-500A-A-2	50	1	70dB, 150K-10GHz
DL-630A-A-2	63	1	70dB, 150K-10GHz
DL-700A-A-2	70	1	70dB, 150K-10GHz
DL-151A-A-2	150	2	70dB, 150K-10GHz
DL-201A-A-2	200	3	70dB, 150K-10GHz

外形尺寸 Outline Drawing and Dimensions(mm)

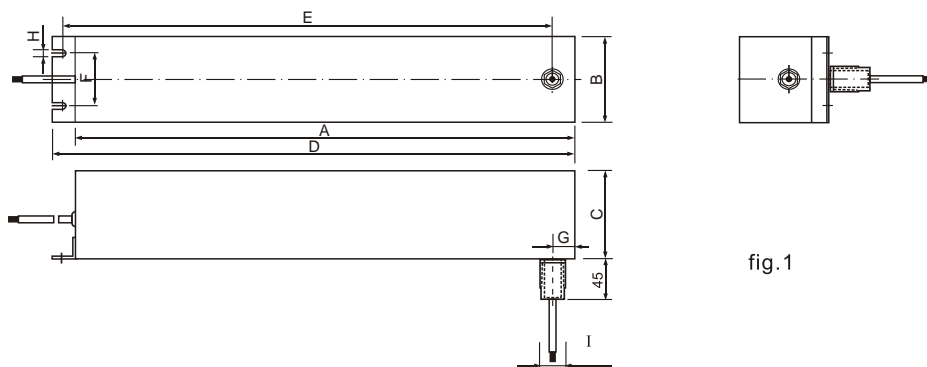


fig.1

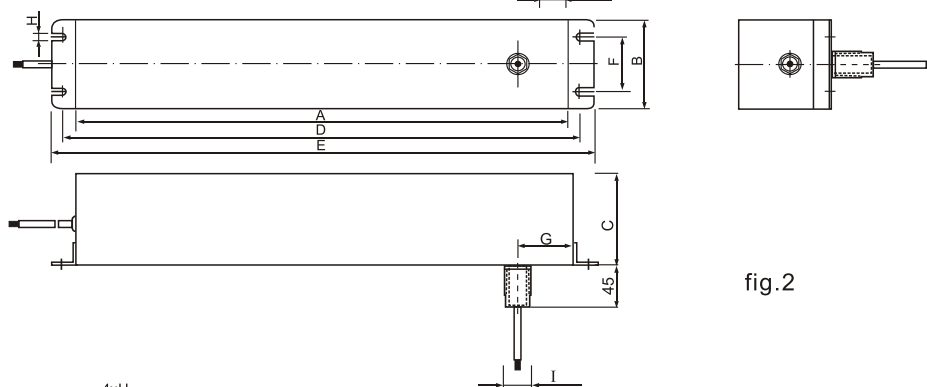


fig.2

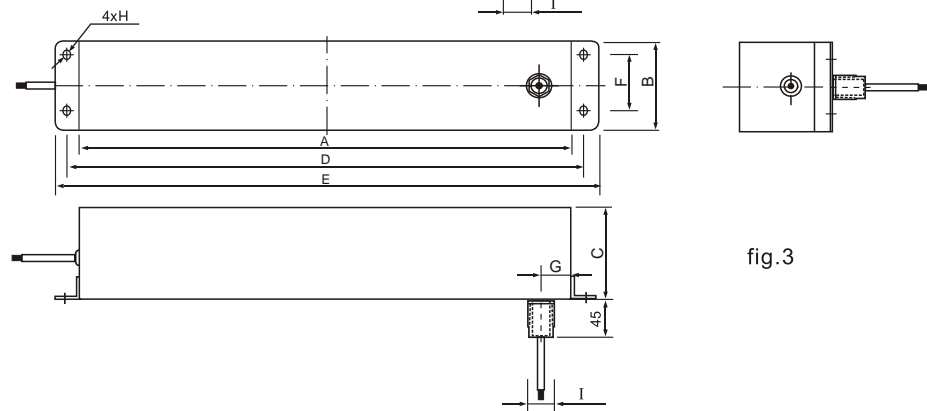


fig.3

Type	A	B	C	D	E	F	G	H	I
DL-160A-C-*	760	110	135	795	750	60	30	10	M16
DL-320A-C-*									
DL-500A-C-*									
DL-630A-C-*									
DL-700A-C-*									
DL-101A-C-*	760	130	135	790	820	80	30	∅10.5X12.5	M33
DL-160A-B-*	660	130	135	690	720	80	30	∅10.5X12.5	M16
DL-320A-B-*									
DL-500A-B-*									
DL-630A-B-*									
DL-700A-B-*									
DL-101A-B-*	760	130	135	790	820	30	80	∅10.5X12.5	M33
DL-160A-A-*	380	110	140	400	370	60	20	6	M16
DL-320A-A-*									
DL-500A-A-*									
DL-630A-A-*									
DL-700A-A-*									
DL-101A-A-*	440	130	140	480	510	80	50	10	M33
DL-201A-A-*	600	200	240	630	660	100	35	∅10.5X12.5	M33

屏蔽设施类信号滤波器

Signal-Filters For Shielded Rooms



型号规格 TYPE	电压 VOLTAGE	电流 CURRENT	线数 WIRE NUMBER	外形 DIMENSION	适用范围 APPLICATION
XL-3	250VDC	0.3A	2	1	电话、传真、直流开关信号 TELEPHONE FAX DC SWITCH SIGNAL
XL-K2	250VAC	2A	2		特种电话、交直流开关信号、 空调控制、消防报警、消防广 播、话筒、门禁 SPECIAL TELEPHONE DC AND AC SWITCH SIGNAL AIR CONDITIONER FIRE ALARM FIRE ALARM BROADCAST MIKE GATE CONTROL
XL-V1	100VDC	1A	1	2	视频信号、空调控制 VIDEO SIGNAL AIR CONDITIONER
XL-V2	100VDC	2A	2	3	特种电话、空调控制、消防 报警、监控控制、门禁 SPECIAL TELEPHONE AIR CONDITIONER FIRE ALARM MONITOR GATE CONTROL

以上信号滤波器可以满足C级屏蔽房和各类吸波暗室的屏蔽要求。

如果控制数量超过2根或电流大于2A，订货时请注明具体的控制线数量与电流大小。

THE ABOVE SIGNAL FILTERS CAN MEET THE REQUIREMENTS OF CLASS C SHIELD ROOM AND ALL KINDS OF ANECHOIC CHAMBER.

IF WIRE NUMBER IS MORE THAN 2 OR CURRENT IS MORE THAN 2A, PLEASE TELL US THE DETAILS WHEN ORDER FROM US.

外形尺寸 Outline Drawing and Dimensions(mm)

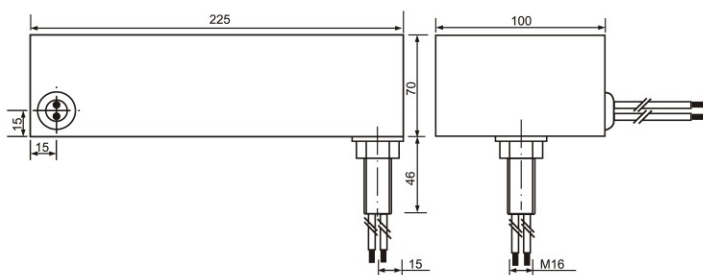


fig.1

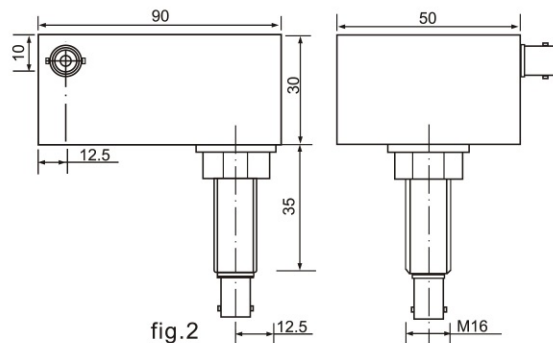


fig.2

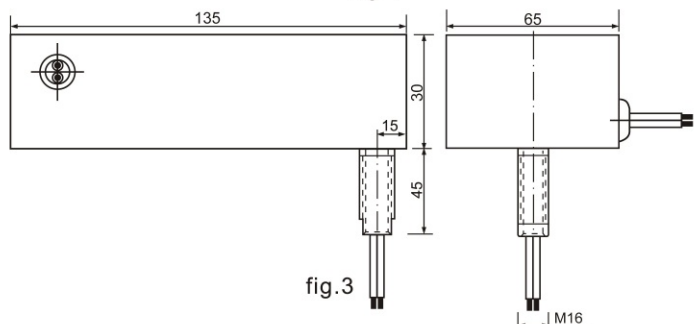
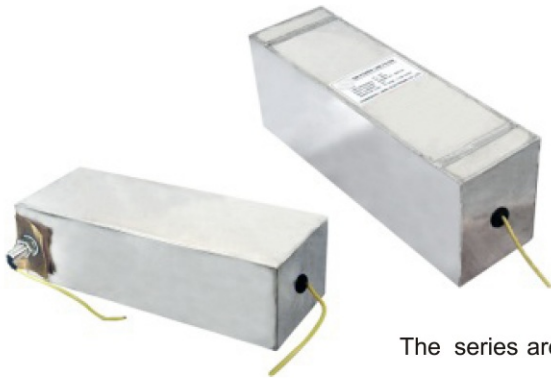


fig.3



该系列滤波器主要用于大容量的工业电气设备，如变频装置，净化电源屏蔽房及电子方舱等，抑制沿电源线传导的电磁干扰。具有抗饱和能力强，有较好的谐波抑制功能。

The series are suitable for large capacity industrial electric equipments, such as inverters, power purified, shield rooms, as well as movable shielded cabinet containing electronic equipments to suppress the electromagnetic interference along power lines.

技术参数 Technical Data

额定电压 Rated Voltage	220/380VAC 500VDC
工作频率 Operating Frequency	50/60Hz
耐压试验:(一分钟) Test Voltage (1min)	1000VDC (line/line) 1000VDC (line/ground)
泄漏电流 Leakage Current	220V/50Hz 状态测量
气候类别 Climatic Category	25/070/21

型号 Model	额定电流 Rated Current (A)	泄漏电流 Leakage Current ≤(A)	插入损耗(50Ω测试系统) Insertion Loss (Measured in 50Ω)		外形尺寸 Dimension fig.
			频率(Hz)Frequency(Hz)	插入损耗(dB)IL(dB)	
DL-15A	15	0.32	0.15M~10G/40G	70~100	1
DL-25A	25	0.32	0.15M~10G/40G	70~100	1
DL-50A	50	0.32	0.15M~10G/40G	70~100	1
DL-2X15A	15	0.42	0.15M~10G/40G	70~100	2
DL-2X25A	25	0.46	0.15M~10G/40G	70~100	2
DL-2X1C	1	0.33	14K~10G/40G	100	3
DL-2X3C	3	0.6	14K~10G/40G	100	3
DL-2X6C	6	0.9	14K~10G/40G	100	3
DL-2X20C	20	6.6	14K~10G/40G	100	3
DL-2X30C	30	6.6	14K~10G/40G	100	3

外形尺寸 Outline Drawing and Dimensions (mm)

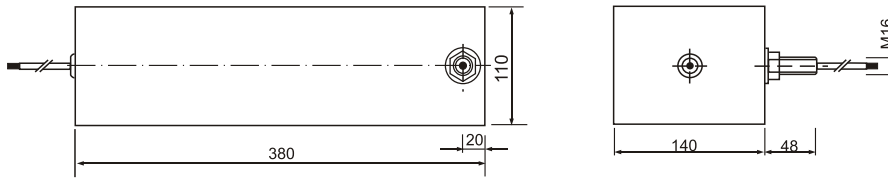


fig.1

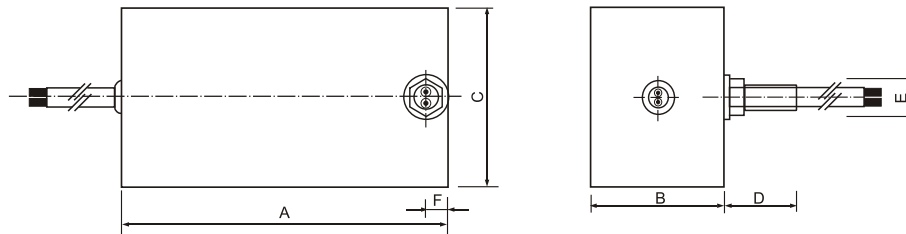


fig.2

型号 Model	A	B	C	D	E	F
DL - 2X15A	220	90	120	42	M16	15
DL - 2X25A						

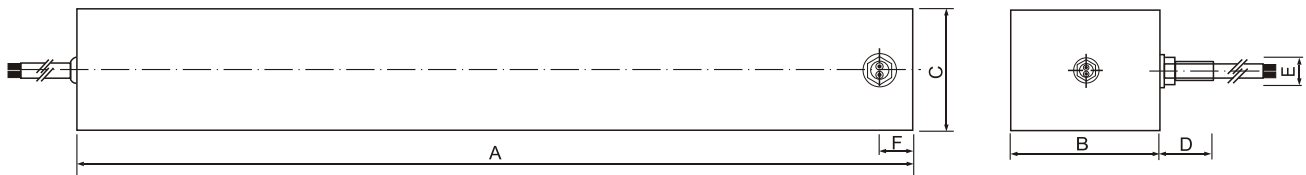


fig.3

型号 Model	A	B	C	D	E	F
DL-2X1C	300	100	150	46	M16	20
DL-2X3C	310	110	160	46	M16	15
DL-2X6C						
DL-2X20C	760	120	200	46	M24	30
DL-2X30C						