

COMMON MODE POWER LINE CHOKE

STRF012 SERIES



FEATURES:

- SMD Power line choke
- Compact size
- Toroidal core with sector winding
- High attenuation of common mode interferences in low and middle frequency range

APPLICATIONS:

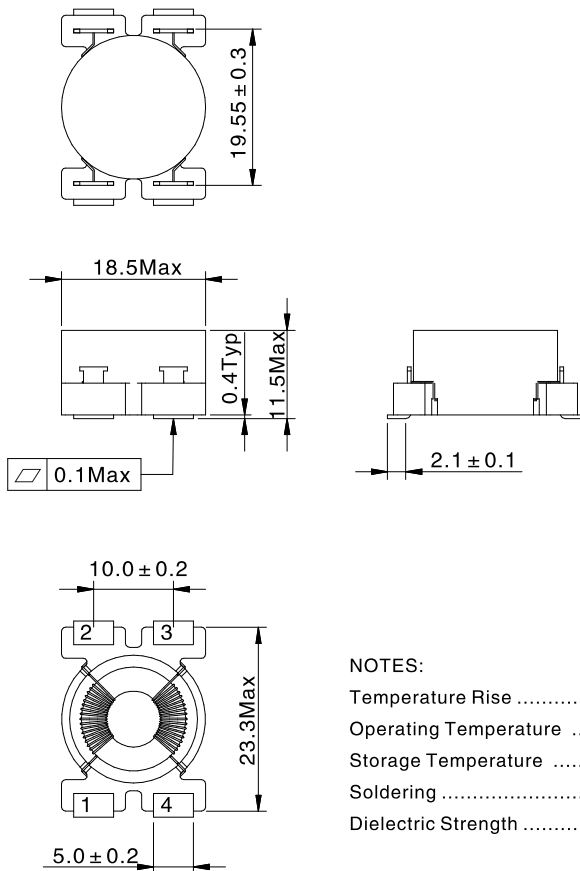
- Power electronics
- SMPS
- Mains filter

ELECTRICAL CHARACTERISTICS:

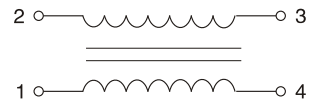
Part Number	L (mH)	Tolerance (%)	Rated Current (A)	RDC max. (Ω)
STRF012-701N	0.7	± 30	4.0	0.03
STRF012-102N	1.0		2.0	0.06
STRF012-222N	2.2		2.0	0.10
STRF012-332N	3.3		1.5	0.15
STRF012-682N	6.8		1.0	0.30
STRF012-103N	10		0.7	0.55
STRF012-273N	27		0.4	1.20
STRF012-393N	39		0.4	1.70
STRF012-473N	47		0.3	2.60

PHYSICAL CHARACTERISTICS:

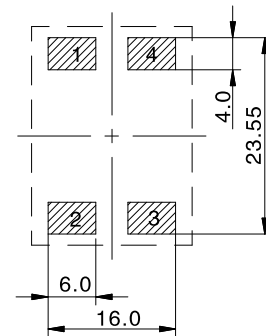
Dimensions 1



Winding



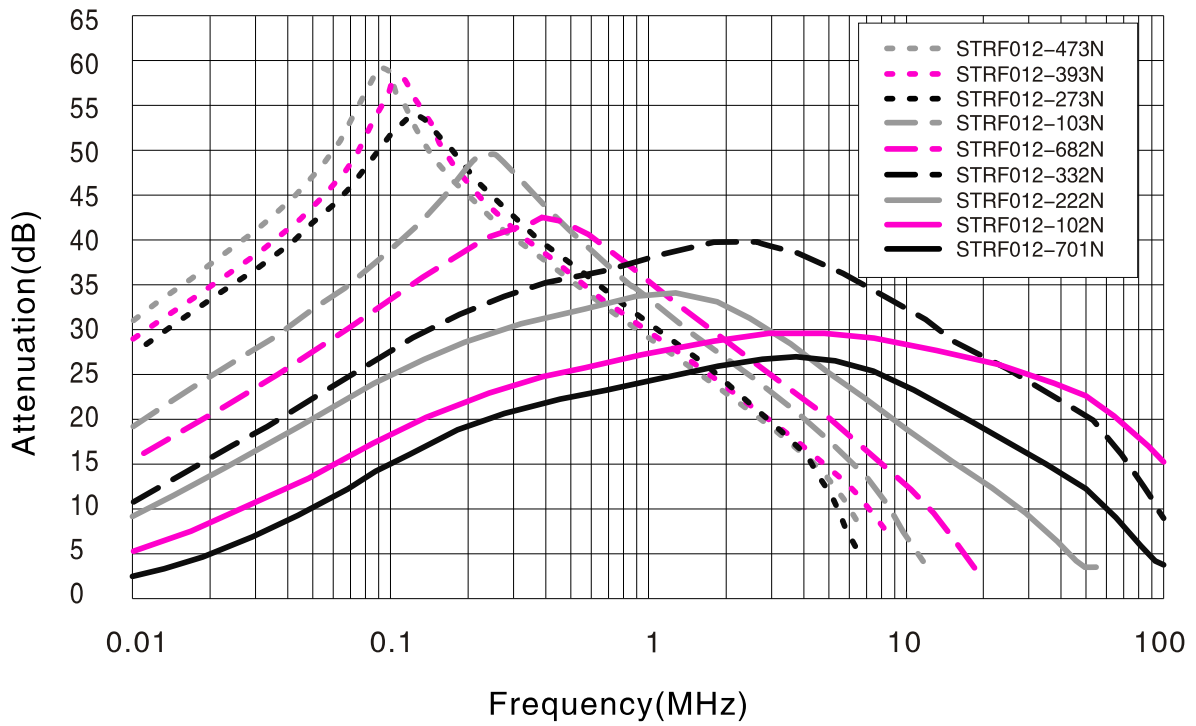
Pad layout



NOTES:

- Temperature Rise40°C typical at IDC
- Operating Temperature-40°C to +125°C(Including self temperature rise)
- Storage Temperature-40°C to +125°C
- Soldering245°C, 5 seconds max
- Dielectric Strength1000 Vrms between windings

ATTENUATION COMMON MODE



ATTENUATION DIFFERENTIAL MODE

